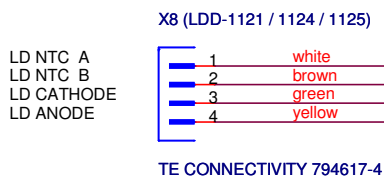
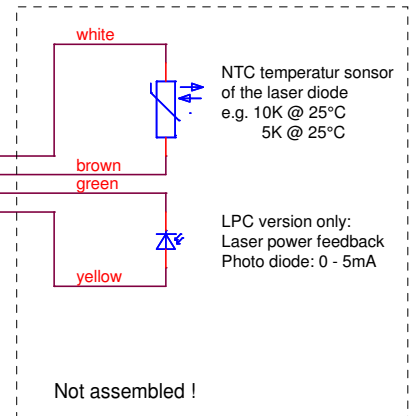


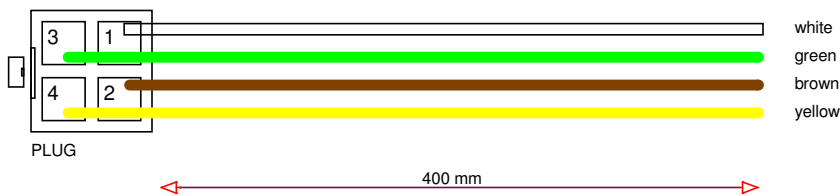
## Schematic of CAB-6156



## Sensor Types



## Specification of CAB-6156



**RoHS**  
COMPLIANT

## Partlist

Idx	Quantity	Description	Manufacturer	Manufacturer P/N	Distributor	Distributor P/N	me P/N
01	1 x 400 mm or 4 x 400 mm	CABLE 2 x 2 x 0.25 mm <sup>2</sup> STRANDED WIRE 0.25 mm <sup>2</sup>	CABLOSWISS	LI-YY 2X2X0,25 MM <sup>2</sup>	DISTRELEC	514869	32109
02	1	PLUG HOUSING 4 POL	TE CONNECTIVITY	794617-4	FARNELL	111-1088	34120
03	4	CRIMP CONTACT	TE CONNECTIVITY	1-794610-1	DIGIKEY	1-794610-1-ND	34117
04	-	CRIMPING TOOL	TE CONNECTIVITY	91501-1	DIGIKEY	A30498-ND	-

Title: **LDD Sensor Cable  
for LDD-1121 / LDD-1124 / LDD-1125**

Project: **CAB-6156**

Meerstetter Engineering GmbH  
Schulhausgasse 12  
CH-3113 Rubigen  
Ph: 031/712 01 01 Fax: 031/712 01 05

File: 6156C.DSN  
Tool: OrCAD Capture  
Designed: 24.01.14 TB  
Modification: 13.02.15. RM

Sheet: 1 / 1  
**6156C**