

Two Channel OEM TEC Controller

RoHS
COMPLIANT



Description:

The TEC-1161 is a specialized TEC Controller / power supply able to precision-drive two Peltier elements.

Each channel features a true bipolar DC current source for cooling / heating, six temperature monitoring inputs (2x high resolution, 4x low resolution) and intelligent PID control with auto tuning. The TEC-1161 is fully digitally controlled, it's hard- and firmware offer numerous communication and safety options.

The included PC-Software allows configuration, control, monitoring and live diagnosis of the TEC Controller via USB and RS485. All parameters are saved to non-volatile memory. Saving can be disabled for bus operation.

For the most straightforward applications, only a power supply, Peltier elements and at least one temperature sensor need to be connected to the TEC-1161. After power-up the unit will operate according to pre-configured values. (In stand-alone mode no control interface is needed.)

The TEC-1161 can handle either Pt100, Pt1000, NTC or Voltage temperature probes. For highest precision and stability applications a Pt100 / 4-wire input configuration is recommended. Analog measurement circuit is factory calibrated.

Auxiliary temperature inputs allow the connection of NTC probes that are located on the heat sinks of the Peltier elements. This additional data is used to compensate for parasitic thermal conduction of Peltier elements. Also, it allows the control of external heat sink cooling fans.

The heating and cooling power is optimized by proprietary thermal management routines based on power balance models (for Peltier elements and resistive heaters).

The TEC-1161 two independent channels may also be operated in parallel, to either drive two individual or one common load (current doubling).

Further functionality includes: Smooth temperature ramping, thermal stability indication and auto gain (NTC probes). The PC-Software allows data logging and configuration import/export.

Features

Input Characteristics:

- DC Input Voltage: 5 to 24 V

Output Characteristics:

- Voltage: up to ± 21 V
- Current: up to ± 10 A

Main Features:

- Temperature Sensor Types: Pt100, Pt1000, NTC, Voltage
- Temperature Precision / Stability: <0.01 °C
- Temperature Control & Measurement Frequency: 1 Hz, 10 Hz, 90 Hz
- Communication bus compatible
- Configuration and monitoring with Service Software
- PCB mountable version available

Operation Modes:

- Stand-alone operation
- Remote-controlled over USB, CAN, RS485, I/O
- Script-controlled over lookup table (thermal cycling)

Driver Modes:

- DC power supply (bipolar)
- Temperature control: PID settings, auto tuning, optional cool/heat-only or resistor heating modes

Data Interfaces:

- USB
- RS485
- CAN

General Purpose I/O Features:

- Configurable as input to control TEC-1161 (Enable, Temperature up / down etc.)
- Configurable as output to monitor TEC-1161 (Error Indication, Temperature Stable Indication etc.)

Special Requirements / More Information:

- Please contact us for additional information or customization.

Important Note:

The following features will be activated with an incoming firmware update, but are not yet useable:

- All CAN Interfaces
- GPIO9 and GPIO10
- Low Resolution temp. measurement 3 and 4

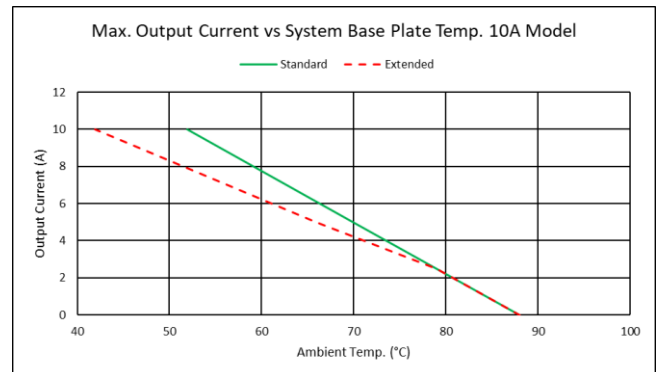
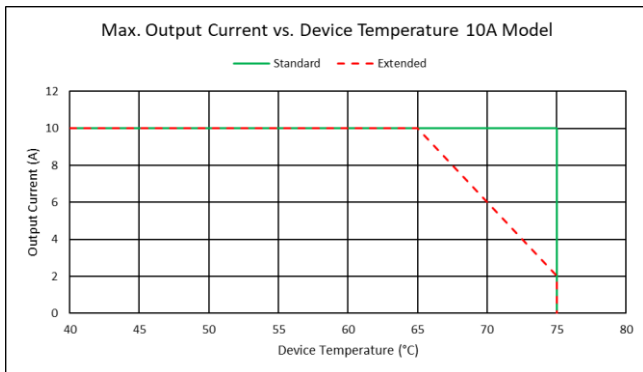
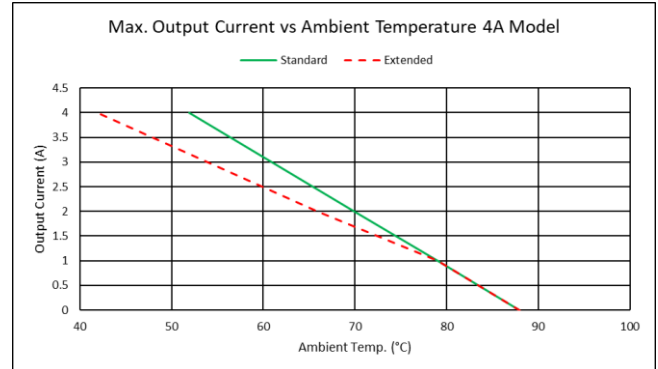
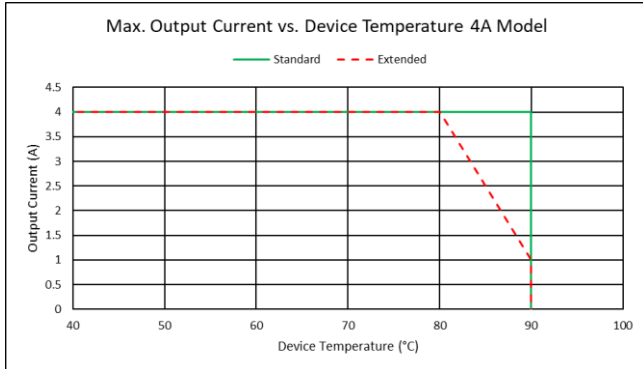
Absolute Maximum Ratings

| | |
|---------------------|-------|
| Supply voltage (DC) | 25.5V |
|---------------------|-------|

Operating Ratings

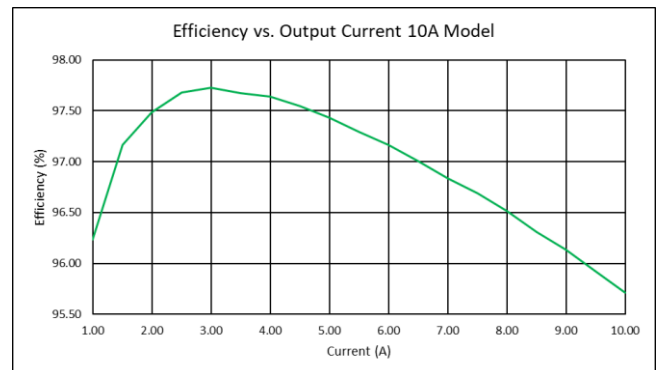
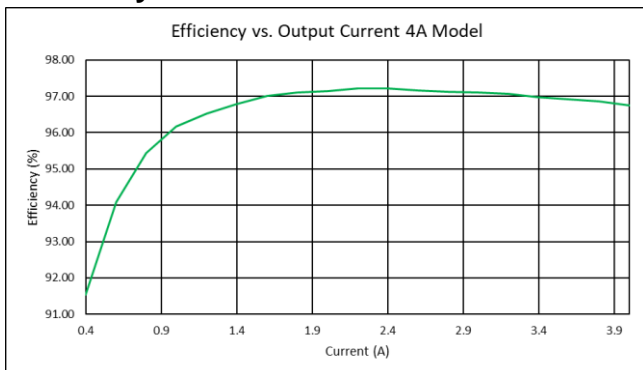
| | |
|-------------|-------------------------|
| Temperature | -40 – 90°C |
| Humidity | 5 – 95%, non-condensing |

Operating Characteristics



Standard or Extended Device Temperature Mode can be set as software setting.
The right Diagram shows the situation with an external 3.3Ω resistor (4A Model) or a 1.65Ω resistor (10A Model). No forced air flow was present.

Efficiency



The Efficiency measurements were done at 21V output voltage and a device temperature of 60°C. The ambient temperature was 23°C, no forced air flow was present.

Electrical Characteristics 4A Model

Unless otherwise noted: $T_A = 25^\circ\text{C}$, $U_{IN} = 24$ V, $R_{load} = 3.3 \Omega$

| Symbol | Parameter | Test Conditions | Min | Typ | Max | Units |
|---|-----------------------|--|-----|-----|----------|------------------|
| DC Power Supply Input: | | | | | | |
| U_{IN} | Supply voltage | | 4.9 | | 24 | V |
| U_{IN} Ripple | Ripple tolerance | U_{IN} never below $U_{IN\ min}$ or above $U_{IN\ max}$ | | | 300 | mV _{PP} |
| Output: | | | | | | |
| I_{OUT} | Bipolar current swing | | | | ± 4 | A |
| U_{OUT} | Bipolar voltage swing | U_{OUT} is maximum $\sim 0.9 \cdot U_{IN}$; See diagram | | | ± 21 | V |
| U_{OUT} Ripple | Voltage ripple | @ 4 A | | | 100 | mV _{PP} |
| System Characteristics: | | | | | | |
| $\eta_{50\%}$ | Power efficiency | @ 50% load (10.5V, 4A) | | 94 | | % |
| $\eta_{100\%}$ | Power efficiency | @ 100% load (21V, 4A) | | 96 | | % |
| Output Monitoring (I_{OUT} Resolution is 1.46mA; U_{OUT} Resolution is 6.1mV) | | | | | | |
| I_{OUT} Read | Precision | @ 3.8 A | | 1 | 5 | % |
| U_{OUT} Read | Precision | @ 15.0 V | | 1 | 3 | % |

Electrical Characteristics 10A Model

Unless otherwise noted: $T_A = 25^\circ\text{C}$, $U_{IN} = 24$ V, $R_{load} = 1.65 \Omega$

| Symbol | Parameter | Test Conditions | Min | Typ | Max | Units |
|---|-----------------------|--|-----|-----|----------|------------------|
| DC Power Supply Input: | | | | | | |
| U_{IN} | Supply voltage | | 4.9 | | 24 | V |
| U_{IN} Ripple | Ripple tolerance | U_{IN} never below $U_{IN\ min}$ or above $U_{IN\ max}$ | | | 300 | mV _{PP} |
| Output: | | | | | | |
| I_{OUT} | Bipolar current swing | | | | ± 10 | A |
| U_{OUT} | Bipolar voltage swing | U_{OUT} is maximum $\sim 0.9 \cdot U_{IN}$; See diagram | | | ± 21 | V |
| U_{OUT} Ripple | Voltage ripple | @ 10 A | | | 350 | mV _{PP} |
| System Characteristics: | | | | | | |
| $\eta_{50\%}$ | Power efficiency | @ 50% load (10.5V, 10A) | | 93 | | % |
| $\eta_{100\%}$ | Power efficiency | @ 100% load (21V, 10A) | | 95 | | % |
| Output Monitoring (I_{OUT} Resolution is 3.5 mA; U_{OUT} Resolution is 6.1mV) | | | | | | |
| I_{OUT} Read | Precision | @ 9.8 A | | 1 | 5 | % |
| U_{OUT} Read | Precision | @ 15.0 V | | 1 | 3 | % |

Output Safety Characteristics

Unless otherwise noted: $T_A = 25^\circ\text{C}$, $U_{IN} = 12$ V

| Symbol | Parameter | Test Conditions / Hints | Min | Typ | Max | Units |
|--|-----------------|----------------------------|-----|-----|-----|---------------|
| Output Stage Protection Delays: | | | | | | |
| t_{OFF} Short circuit | | Full load condition | | 10 | 30 | μs |
| t_{OFF} Power system limits | | Current and voltage limits | | | 200 | μs |
| Output Stage Current Supervision: (If the OUT+ and OUT- currents differ too much, an error is generated) | | | | | | |
| I_{OUT_DIFF} | Error threshold | | | 120 | | mA |

High Resolution Temperature Measurement Characteristics (NTC Probes)

NTC thermistor resistive input characteristics translate into temperature ranges valid for only one type of NTC probe. Below example is given in the case of an NTC B_{25/100} 3988K R₂₅ 10k temperature sensor.

| Symbol | Parameter | Test Conditions / Hints | Min | Typ | Max | Units |
|-----------------|-------------------------------------|-------------------------|-----|----------------|-----|------------------------------|
| $R_{HR, RANGE}$ | ADC Auto Gain PGA = 1 or 8 or 32 | | 73 | 194.3 to -55.5 | 1M | Ω $^\circ\text{C}$ |

ROBJ, RANGE is resistance range of the NTC sensor

High Resolution Temperature Measurement Characteristics (Pt100 and Pt1000 Probes)

Measurement configuration = 23 bit / 4-wire / unshielded cable <50 mm

| Symbol | Parameter | Test Conditions / Hints | Min | Typ | Max | Units |
|-------------------------|-------------------|---|------|-------|------|-------|
| T _{OBJ, RANGE} | Range | Range is extendable upon request Extended measurement range is -193°C ... +787°C | -220 | | +200 | °C |
| T _{OBJ, PREC} | Precision | (EN 60751 / IEC 751) | | 0.005 | | °C |
| T _{OBJ, COEFF} | Temp. Coefficient | Relative to device temperature | | | 1.6m | °C/K |
| T _{OBJ, NOISE} | Value Noise | Reference measurement fluctuations while output stage operating @70% load | | 0.005 | | °C |
| T _{OBJ, REP} | Repeatability | Repeated measurements of reference resistors after up to 3 days | | 0.008 | | °C |

High Resolution Temperature Monitoring Configuration (Voltage Measurement VIN1)

Sensors with linear Voltage/Temperature output.

| Symbol | Parameter | Test Conditions / Hints | Min | Typ | Max | Units |
|-------------------------|-----------|--|--------|-----|-------|-------|
| V _{SENS, DIFF} | Range | Differential Input voltage Temperature range depends on sensor used | -2.039 | | 2.039 | V |
| V _{OBJUX, ABS} | Range | Absolute Input voltage | -0.1 | | 5.1 | V |

Low Resolution Temperature Measurement Characteristics (NTC only)

T_A = 25 °C, measurement configuration = 12 bit / 2-wire / unshielded cable <50 mm, °T probe = NTC B_{25/100} 3988K R₂₅ 10k

| Symbol | Parameter | Test Conditions / Hints | Min | Typ | Max | Units |
|------------------------|-----------|---------------------------------|-----|-------------|-------|----------------|
| R _{LR, RANGE} | Range | Corresponding temperature range | 50 | 214 to -8.1 | 49781 | Ω °C |

General Purpose Digital I/O Characteristics (GPIO1 ... GPIO10)

Unless otherwise noted: T_A = 25°C

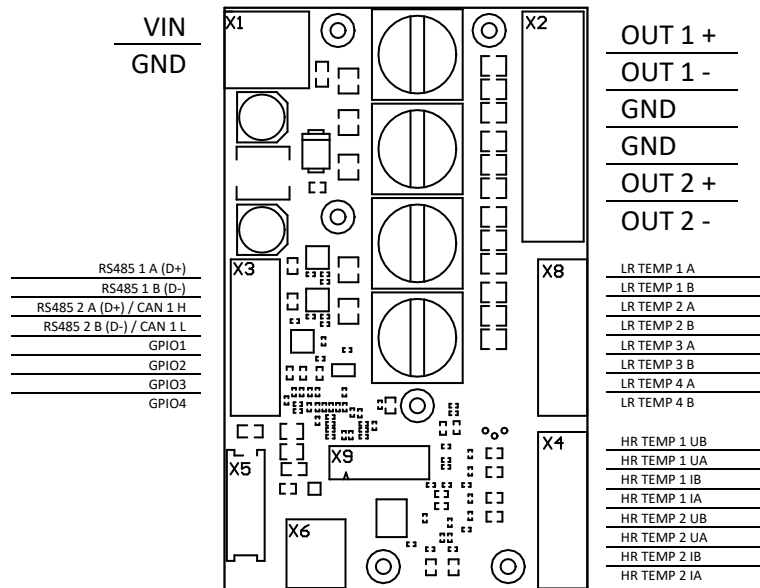
| Symbol | Parameter | Test Conditions | Min | Typ | Max | Units |
|---|-------------------------------|--------------------|------|---------|----------|----------|
| Input Characteristics: | | | | | | |
| U _{IH} | Logic high input threshold | | 2.38 | | | V |
| U _{IL} | Logic low input threshold | | | | 0.93 | V |
| U _{IMAX} | Maximum input voltage | | -0.5 | | 5.5 | V |
| Output Characteristics: (Microprocessor) | | | | | | |
| U _{OH} | Logic high output voltage | Output current 8mA | 2.8 | | 3.3 | V |
| U _{OL} | Logic low output voltage | Input current 8mA | | | 0.4 | V |
| Z _{OUT} | Output Impedance | | 110 | 120 | 150 | Ω |
| I _{OUT} | Output Sink or Source Current | | | ± 8 | ± 20 | mA |
| ESD Protection: (Between Processor and Connector) | | | | | | |
| UPP | ESD discharge | IEC61000-4-2 | | 18 | | kV |
| | Series resistance | | 85 | 100 | 115 | Ω |

Auxiliary Connector X5 Power Supply Output Characteristics

Unless otherwise noted: T_A = 25°C

| Symbol | Parameter | Test Conditions | Min | Typ | Max | Units |
|-------------------------------|-----------------------|---------------------|------|-----|-----|-------|
| Input Characteristics: | | | | | | |
| U _{OUT} | Output voltage | Output current 50mA | 4.4 | 4.5 | 5 | V |
| I _{OUT} | Output current | | 0 | 150 | 200 | mA |
| U _{IMAX} | Maximum input voltage | | -0.5 | | 5.5 | V |

Pin Configuration Screw Connectors TOP View



Matching Receptacles for the PIN Configuration

The following receptacles can be used for the TEC-1161 in the -PIN Configuration:
Manufacturer: MILL-MAX MANUFACTURING Part Number: 801-43-050-10-001000
The receptacles need to be broken up into the appropriate length.

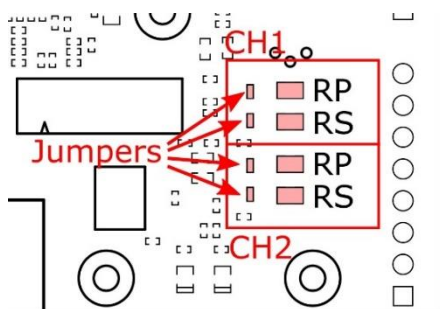
Screw Connector Specifications X1 and X2

| Parameter | Min | Typ | Max | Units |
|--|------|-----|-----|-----------------|
| Wire Size (Mechanical Limit, current carrying capacity not considered) | 0.05 | | 2.5 | mm ² |
| Torque | | 0.5 | 0.6 | Nm |
| Stripping Length | 0.5 | | 0.6 | mm |

Screw Connector Specifications X3, X4 and X8

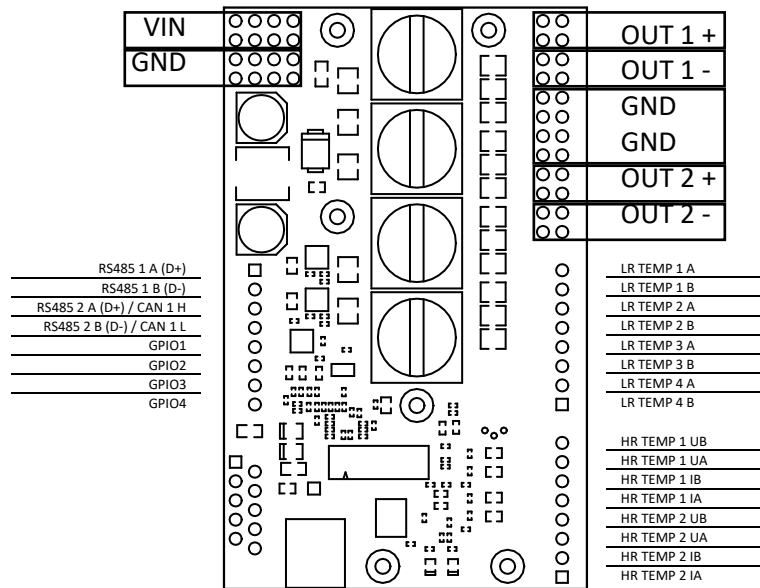
| Parameter | Min | Typ | Max | Units |
|--|------|-----|-----|-----------------|
| Wire Size (Mechanical Limit, current carrying capacity not considered) | 0.05 | | 1 | mm ² |
| Torque | | 0.1 | | Nm |
| Stripping Length | | 0.5 | | mm |

Temperature Sensor Connection X4 and X8



The Jumpers are used for the 2/4 Wire configuration. For the values of RS and RP please refer to the TEC-Controller User Manual.

Pin Configuration Pinheader Connectors TOP View



Pin Configuration Auxiliary IO Connector X5

| Mini-Module Plug | Plug used: Würth MINI MODULE Part Number: 690367181072 Matching Connector: Würth Part Number: 690157001072 | Pin-Header |
|------------------|---|------------|
| | | |

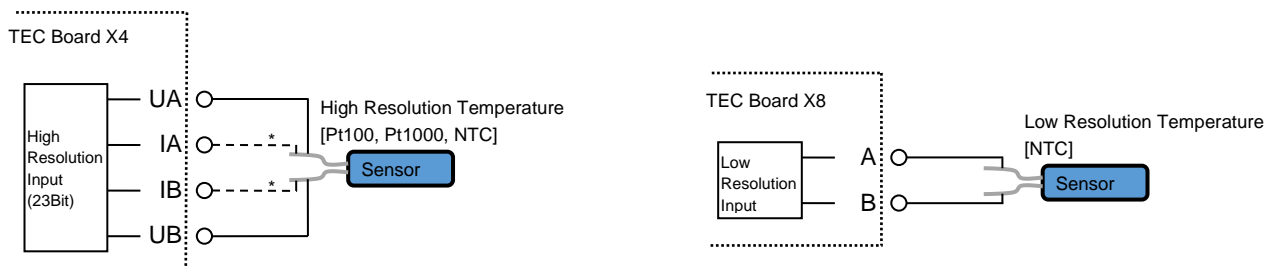
Mini USB Connector X6

The Mini USB Connector X6 can be used to communicate with the TEC-Controller using the meCom communications protocol or the Service Software. It is electrically isolated.

Display Connector X9

The Connector X9 can be used to connect one of the OLED Displays available from Meerstetter (DPY1113, DPY1114 or DPI1115)

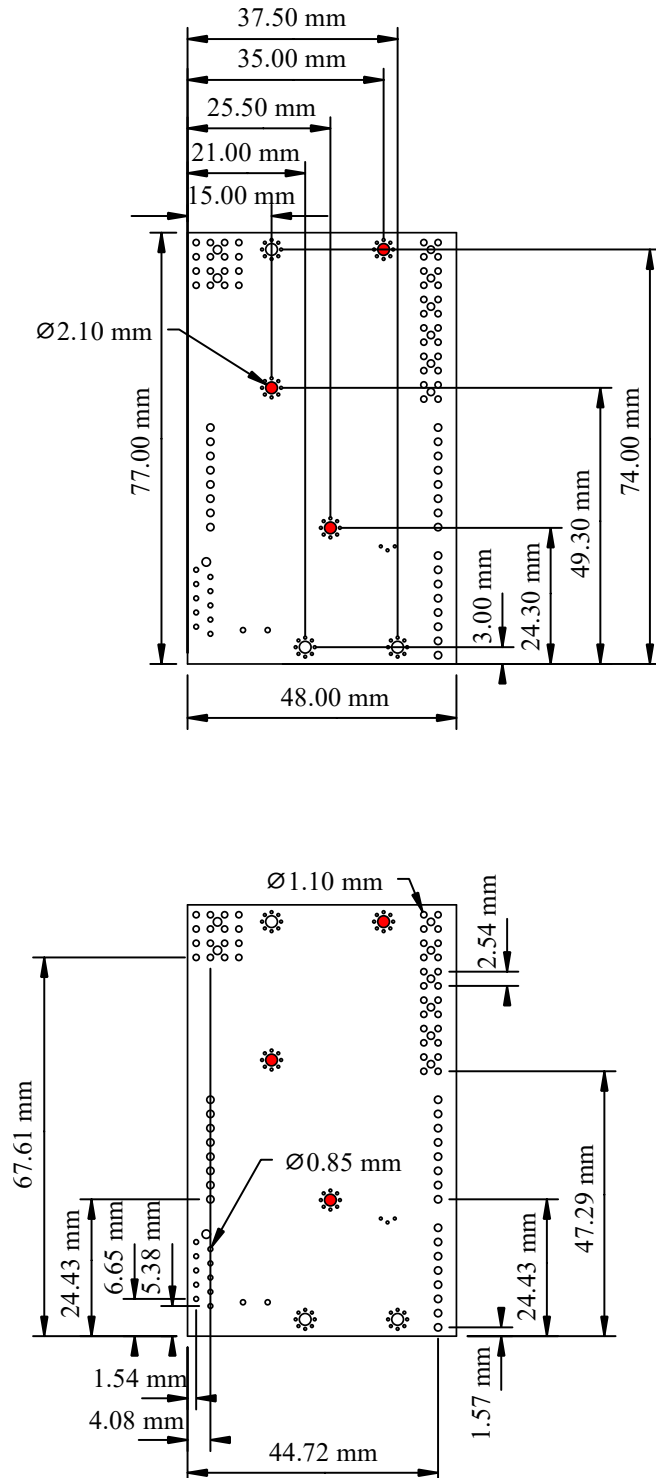
Temperature Sensor Connection X4 and X8



* In case of Pt100 or Pt1000, use 4 wires to connect the High Resolution Temperature Sensor

Dimensions

Top View



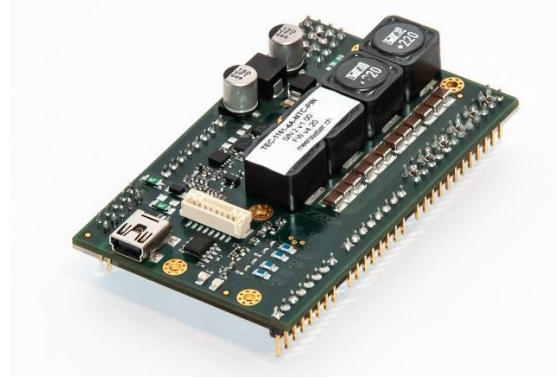
The holes marked in red are used to mount the aluminium Baseplate for the 10A version and are therefore not available for mounting purposes in this version.

Operation-Modes / Theory of Operation

The TEC-1161 is an OEM precision TEC Controller that is available with Screw Terminals or as a PCB mountable device. Its basic operation status is visually indicated by on-board green and red LEDs and their blinking pattern.



-SCREW Screw terminal equipped Version



-PIN PCB mountable Version

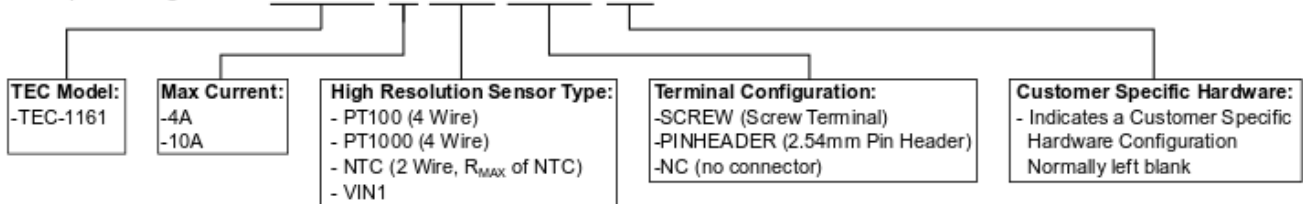
Status information can be polled at any time by industry standard RS485 connection or by USB (see box below). The TEC-1161 can also operate in a remotely controlled manner, with parameters adjusted on the fly. The TEC-Controller has Scripting capability by sequential lookup table read-out.

Configured as a DC power-supply, the TEC-1161 can handle current and voltage settings. In the remote-control case, temperature data may be passed on to be processed by the host.

Configurable parameters further include sensor linearization (Pt100 / Pt1000) and Steinhart-Hart modeling (NTC), temperature acquisition hardware calibration, Peltier element modeling, PID controller auto tuning, nominal temperature ramping, current, voltage and temperature limits, error thresholds, etc. Please refer to the TEC Controller User Manual (Document 5216) for further information.

TEC-1161 Ordering Information, Hardware Configuration

Example Configuration: **TEC-1161-4A-PT100-SCREW-CSX**



Meerstetter Engineering GmbH
Schulhausgasse 12
3113 Rubigen, Switzerland

Meerstetter Engineering GmbH (ME) reserves the right to make changes without further notice to the product described herein. Information furnished by ME is believed to be accurate and reliable. However typical parameters can vary depending on the application and actual performance may vary over time. All operating parameters must be validated by the customer under actual application conditions.