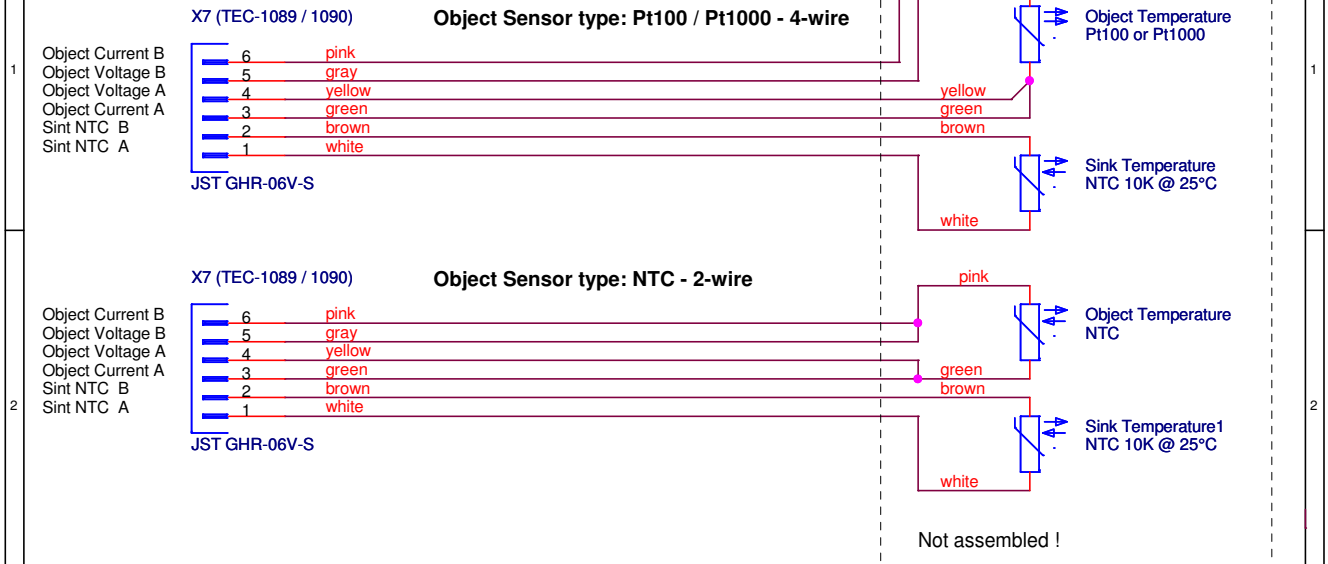
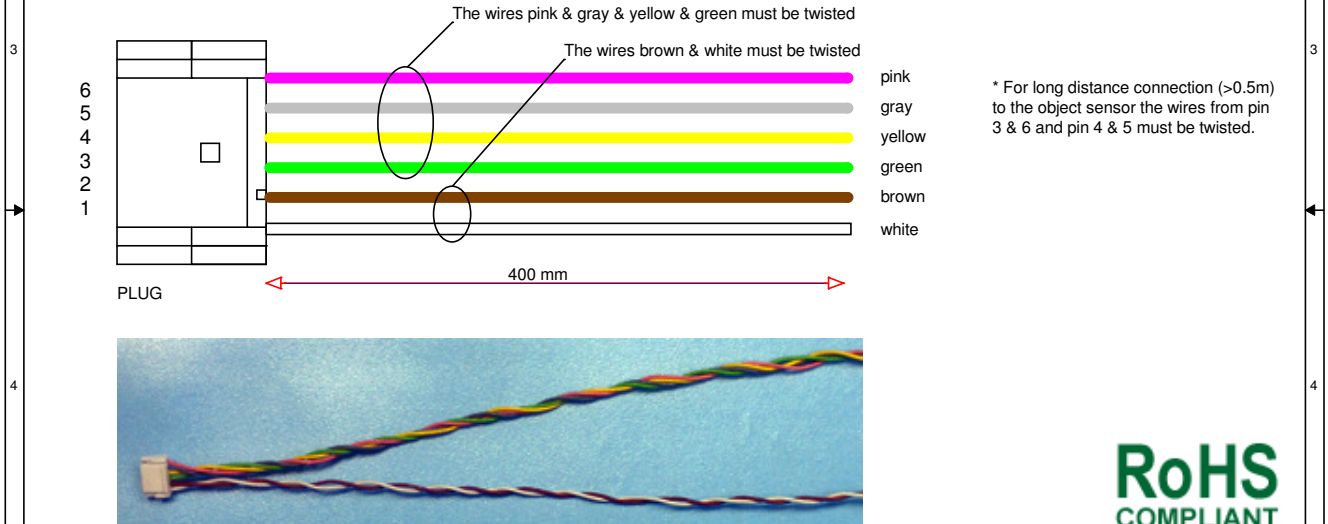


## Schematic of CAB-6154



## Specification of CAB-6154



## Partlist

Idx	Quantity	Description	Manufacturer	Manufacturer P/N	Distributor	Distributor P/N	me P/N
01	1 x 400 mm or 6 x 400 mm	CABLE 3 x 2 x 0.08 mm2 STRANDED WIRE 0.08 mm2	KABELTRONIK	820600800	DISTRELEC	510291	32107
02	1	PLUG HOUSING 6 POL	JST	GHR-06V-S	DIGIKEY	455-1596-ND	34242
03	6	CRIMP CONTACT	JST	SSHL-002T-PO.2	DIGIKEY	455-1606-1-ND	34243
04	-	CRIMPING TOOL	JST	WC-GH2630	COMPONA	276 903-2	15006

Title: **Temperature Sensor Cable for TEC-1089 / TEC-1090**

Project: **CAB-6154**

Meerstetter Engineering GmbH  
 Schulhausgasse 12  
 CH-3113 Rubigen  
 Ph: 031/712 01 01 Fax: 031/712 01 05

File: 6154D.DSN  
 Tool: OrCAD Capture  
 Designed: 15.01.14 RM  
 Modification: 13.02.15 RM

Sheet: 1 / 1  
**6154D**