



Developed, assembled and tested in Switzerland

User Manual

LTR-1200

Valid for SN:006 to SN:XYZ



LDD / TEC 19" Rack Enclosure

Suitable for:

| | |
|----------|---------------------|
| TEC-1089 | LDD-1124 |
| TEC-1090 | LDD-1121 |
| TEC-1122 | LDD-1125 |
| TEC-1123 | Third-Party Devices |

Meerstetter Engineering GmbH
Schulhausgasse 12
3113 Rubigen, Switzerland



Phone: +41 31 712 01 01
Email: contact@meerstetter.ch
Website: www.meerstetter.ch

Meerstetter Engineering GmbH (ME) reserves the right to make changes without further notice to the product described herein. Information furnished by ME is believed to be accurate and reliable. However typical parameters can vary depending on the application and actual performance may vary over time. All operating parameters must be validated by the customer under actual application conditions.

Table of Content

| | | |
|----------|--------------------------------------|-----------|
| 1 | Device Overview | 4 |
| 2 | Functional Description | 5 |
| 2.1 | <i>Device-specific Documentation</i> | 5 |
| 2.2 | <i>Getting Started</i> | 5 |
| 2.3 | <i>Menu Structure</i> | 6 |
| 2.3.1 | Available Device Parameter | 7 |
| 2.4 | <i>Communication Interfaces</i> | 8 |
| 2.4.1 | LTR-1200 Communication Concept | 8 |
| 2.4.2 | Connecting LTR-1200 over Ethernet | 8 |
| 2.4.3 | Service Software Default Address | 9 |
| 2.4.4 | Access over Third Party Software | 9 |
| 2.4.5 | Communication Fault Management | 9 |
| 3 | Technical Data | 10 |
| 3.1 | <i>Elements and Configurations</i> | 10 |
| 3.2 | <i>Front Panel</i> | 10 |
| 3.2.1 | LCD | 10 |
| 3.2.2 | Navigation | 10 |
| 3.2.3 | LED | 11 |
| 3.2.4 | Digital I/O | 11 |
| 3.2.5 | RS485 | 12 |
| 3.2.6 | RS232 | 12 |
| 3.2.7 | USB | 13 |
| 3.2.8 | Ethernet | 13 |
| 3.3 | <i>Back Panel</i> | 14 |
| 3.3.1 | TEC Sensors Pinout | 14 |
| 3.3.2 | LDD Sensors Pinout | 15 |
| 3.3.3 | AC Mains Supply | 16 |
| 3.4 | <i>Error Numbers</i> | 16 |
| 3.4.1 | RTOS Errors | 16 |
| 3.4.2 | Routing Errors | 16 |
| 3.4.3 | HMI Errors | 16 |
| 3.5 | <i>Physical Dimensions</i> | 17 |
| 3.6 | <i>License Notice</i> | 17 |
| 4 | Quotation Request Form | 18 |

1 Device Overview



Features

| | |
|--------------------------------|--|
| Rack Enclosure Size: | 1U, 400mm in Depth |
| AC Input Voltage: | 100..240V / 50..60Hz |
| Space for Devices: | Up to 4 LDD / TEC Drivers; Third-Party Devices (Max 8 Outputs) |
| Data Interfaces: | - Ethernet 10/100 MBit/s |
| Electrically Isolated (>1kV) | - USB (Virtual Com Port) |
| | - RS485 |
| | - RS232 |
| Digital I/O Signals: | - 3 Digital Inputs |
| Electrically Isolated (>1kV) | - 1 Digital Output |
| Human Machine Interface (HMI): | Backlit 2x40 Character Display and 5-Way Navigation Switch for Local Monitoring and some Main Settings |
| Status Indication: | 2 LED (Dual Color) |
| Forced Air Cooling: | Temperature-Dependent Fan Speeds |
| Max Ambient Temperature: | Full load up to 40°C Half load up to 45°C |

Advanced Operation

| | |
|-----------------|---|
| Remote Control: | LDD / TEC Service Software and 'MeCom' Protocol |
|-----------------|---|

Applications

Optics (Laser Diodes, Crystals, ...):

- e.g. autonomous turn-key solutions for comprehensive control (supply, cooling) of ps lasers

Electronics (Detectors, RF References, ...):

- e.g. low-noise camera cooling

Instrumentation (Microscopy, Materials, Biochemistry, ...):

- e.g. precision multi-temperature control (thermal zones)

General Description

The LDD / TEC 19" rack enclosure LTR-1200 is a highly configurable, ready-made carrier system facilitating the integration of up to 4 devices belonging to either the LDD-Family of laser diode drivers or the TEC-Family of Peltier/TEC controllers. The system caters for power, cooling and communication.

The combination of built-in devices (models, number) is freely selectable by the customer, their application will dictate the choice (12V or 24V) and number of internal primary DC power supplies. Meerstetter Engineering will take care of the integration and provide a fully configured turnkey solution.

Up to 4 fans drag air sidewise through the rack enclosure. Their speed is managed by intelligent fan control on a dedicated PCB such that air-cooling becomes effective upon prolonged use at high ratings.

For table-top operation, the rack mounting brackets can be removed.

The current status of the rack enclosure and of the built-in devices are indicated on the front side display (2x40 characters) and by dual color LEDs. The most important settings (parameters of the built-in devices and of the front side data interfaces) can be adjusted over the 5-way navigation switch.

For advanced operation and configuration, all internal devices can be addressed over one of the electrically isolated interfaces; therefore the originally supplied TEC and/or LDD Service Software's can be used.

For continuous monitoring and control by customers' systems, the serial communication protocol 'MeCom' can be used: on one hand, it allows direct control of the each built-in LDD and TEC device, on the other hand it allows polling further information about the overall system status.

For fast signals (such as LDD pulse triggering) three digital (electrically isolated) input lines are available. Also, one digital output is available (e.g. for error indication).

The integration of third party hardware (such as fiber-coupled diode lasers) is possible if dimensional requirements are met.

2 Functional Description

2.1 Device-specific Documentation

The following devices can be installed into the LTR-1200. Some of these devices can be connected in parallel to achieve higher output currents. Please contact Meerstetter Engineering if you have requirements which currently are not covered by any of these devices.

LDD-Family (Laser Diode Drivers)

- LDD-1121
- LDD-1124
- LDD-1125

TEC-Family (Thermo Electric Cooling Controllers)

- TEC-1089
- TEC-1090
- TEC-1122
- TEC-1123

The functional description and the technical data of these devices are documented in their own specific Datasheets and User Manuals.

2.2 Getting Started

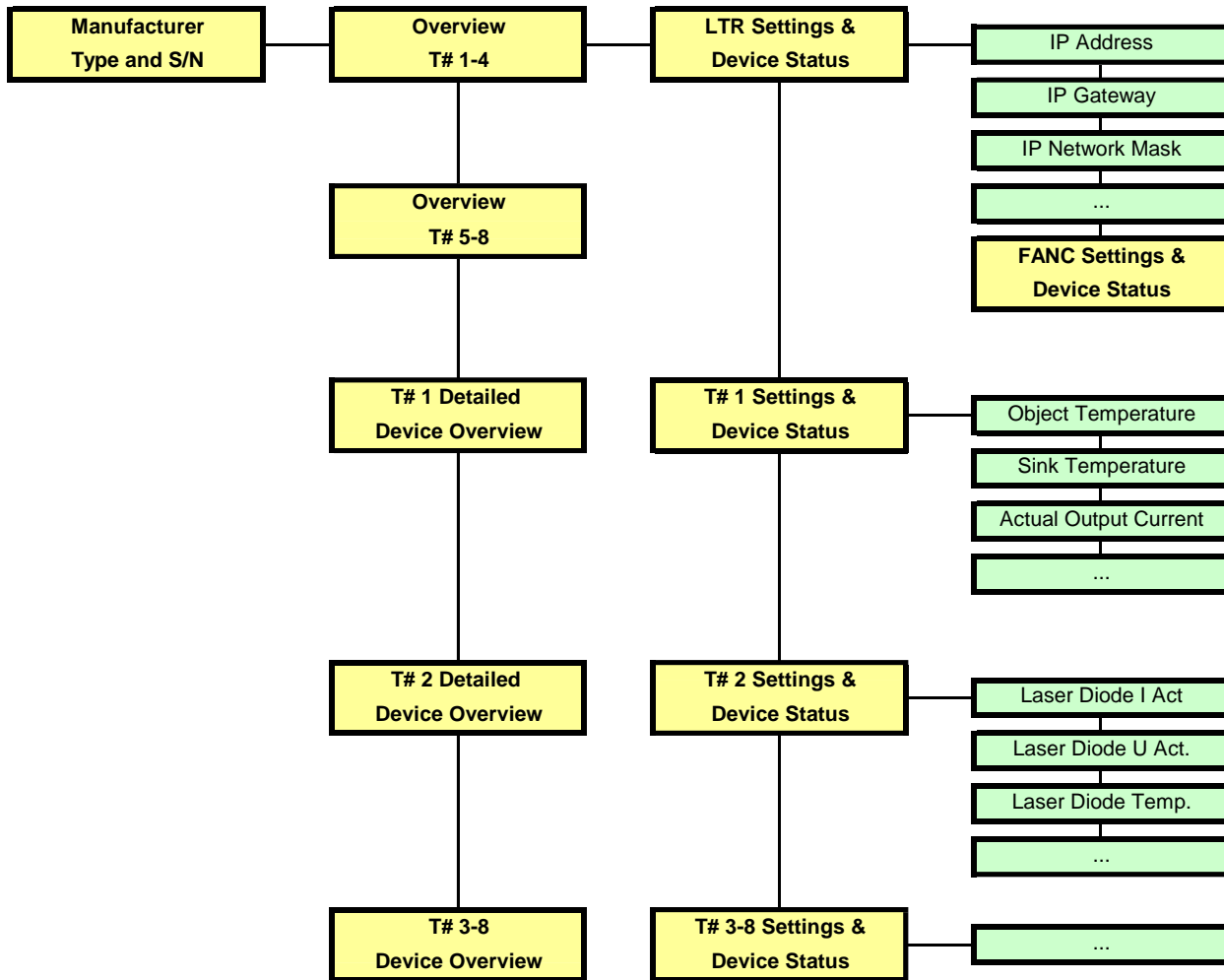
1. Connect the LTR-1200 to the mains power and switch it on.
 - The display shows the start screen
2. Wait until the LTR-1200 has finished startup.
 - The display now shows the main screen
 - No error is indicated (both LEDs are green)
3. Use the navigation switches to browse through the Menu. The Menu structure is documented in chapter 2.3 Menu Structure
4. Connect to an internal device. (Chose one of the two options below):
(For more information about how to connect please refer to 2.4 Communication Interfaces)
 - Ethernet (preferred, if possible):
Remote Control over big distances.
Simultaneous connections (multiple applications) to several devices are possible.
Simultaneous connections (multiple PCs) to one device are possible.
 - Set up the IP configuration (See chapter 2.4.2 Connecting LTR-1200 over Ethernet)
 - Connect the Ethernet cable.
 - USB:
Easy on-site connection.
Only one device at the same time.
 - Connect the USB Cable.
5. Connect the corresponding (TEC or LDD) Service Software to a device
(Notice that you establish a connection to a device. "Device" and "Terminal" have different meanings. See chapter 2.4.1 LTR-1200 Communication)
 - Set up the Service Software connection in the Maintenance Tab (See chapter 2.1 Device-specific Documentation)
 - When the Software is successfully connected it will show a green status "Connected" and the Monitor tab will be updated periodically.
 - If you connect over Ethernet and wish to connect to multiple devices repeat this procedure for all devices to connect.
6. Now the device(s) are connected. The device configuration and the various setting options are described in the device-specific User Manuals. (See chapter 2.1 Device-specific Documentation)

2.3 Menu Structure

The Menu is created dynamically depending on the installed devices. Only the Terminals to which a device is connected are shown in the Menu. Each Terminal has its own Menu entry where the most important settings of this Terminal can be adjusted. There is also a small overview for each Terminal.

Because there are so many parameters for each Terminal there is only a small selection of parameters available through the display menu.

Below there is an example of the Menu structure with a TEC controller connected to Terminal 1 and an LDD connected to Terminal 2.



Legend:

T# -> Terminal

Status / Information

Settings

To navigate through the Menu use the 5-way navigation switch.

Settings marked with [-/R] have read only permissions.

Settings marked with [R/W] can be modified through the menu. Simply press the OK Button to switch to the editing mode. Use left and right to switch between the digit positions. Use up and down to change the digits value. Press OK to confirm the setting change.

Errors are shown on the overview screen with a symbol. For a description of the different Symbols see 3.2.1 LCD. A detailed Error Report will be shown on the device specific Menu screen.

2.3.1 Available Device Parameter

Additional Parameters are available on request. Please contact Meerstetter Engineering for an inquiry.

2.3.1.1 LTR-1200

- IPv4 Address
- Gateway IPv4 Address
- IPv4 Network Mask
- Service Software Default Device
- Interface RS232 Baud Rate
- Interface RS485 Baud Rate
- HMI Device Address
- Internal Maximal Temperature
- Internal Maximal Fan-Speed

2.3.1.2 LDD

- Laser Diode Current Actual
- Laser Diode Voltage Actual
- Laser Diode Temperature
- Laser Power Actual
- Laser Diode Driver Enable
- Laser Diode Current CW
- Laser Diode Power CW

2.3.1.3 TEC

- Object Temperature
- Sink Temperature
- Actual Output Current
- Actual Output Voltage
- Output Stage Enable
- Target Object Temp

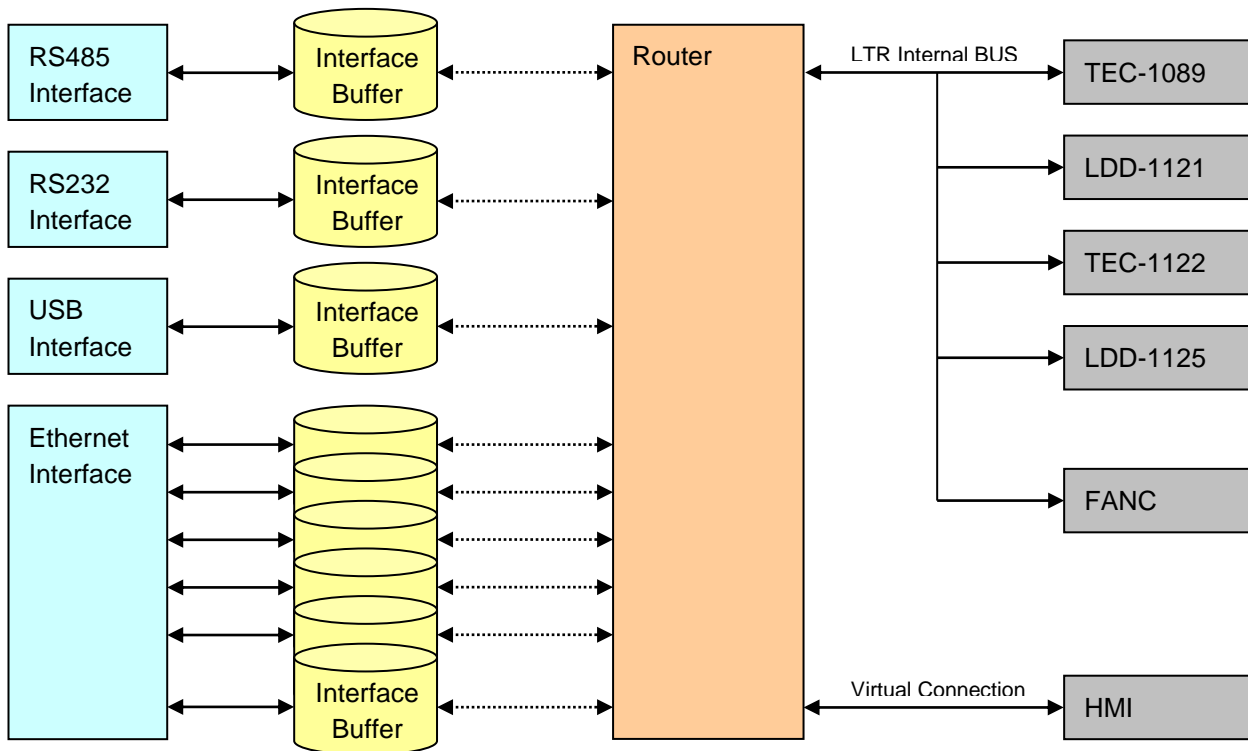
2.4 Communication Interfaces

2.4.1 LTR-1200 Communication Concept

The LTR-1200 is equipped with several communication interfaces, which can be used simultaneously. Every communication interface has its own receiving buffer.

The router will process every received message. The message is forwarded to the desired device. As soon as the router task has received the responding message from the device, the message is forwarded to the corresponding interface.

Every communication interface has the same priority. All messages are processed successively.



A connection is always between one control software and one device. The Terminal, device number and Channel are not directly associated.

Terminal represents only the output on the Back-Plane of the LTR-1200. One device can be connected to more than one Terminal.

Channel represents the output channel of one device (e.g. CH1 or CH2 in the case of TEC controllers.)

Please consult the "LTR-1200 Configuration Sheet" (which was supplied with the LTR-1200) to find out which device channel is connected to which Terminal.

2.4.2 Connecting LTR-1200 over Ethernet

The LTR-1200 does not support DHCP. A fixed IP Address configuration must be set over the display menu. Please set the following settings:

- IP Address
- Gateway Address (required for routing)
- Network Mask

Please try to access to the built-in LTR-1200 web server by entering the previously configured IP Address to your web browser.

2.4.2.1 Ethernet Connection

Please refer to 2.1 Device-specific Documentation to connect the Service Software over Ethernet. The Device Address (Device to be addressed) can be found on the LTR-1200 Menu or on the Built-in web site. It usually is the same as the Terminal Number. The LTR-1200 provides a total of six connections (TCP/IP, Port 50000, Timeout: 10s) to control the LDD/TEC Drivers over Ethernet. For Third Party Software communication please refer to the MeCom communication protocol specifications (See chapter 2.1 Device-specific Documentation).

2.4.3 Service Software Default Address

In some cases it may be helpful to configure a default LDD/TEC driver as standard device. This can be done by setting the 'Service Software Default Device' parameter to a specific LDD/TEC Device Address in the Display menu. In this case the Device Address 0 will be routed to the 'Service Software Default Device'.

2.4.4 Access over Third Party Software

For Third Party Software communication please refer to the MeCom communication protocol specifications (See chapter 2.1 Device-specific Documentation).

2.4.5 Communication Fault Management

2.4.5.1 For RS485, RS232 and USB Interfaces

A received MeCom-Package with a wrong CRC is not being processed, no error is generated.
If a MeCom-Package is being forwarded to a device (LDD/TEC) and no answer is received from the device, no error is generated. The sending host must repeat the MeCom-Package.

2.4.5.2 For Ethernet Interface

A received MeCom-Package with a wrong CRC results in closing the corresponding TCP connection.
If a MeCom-Package is being forwarded to a device (LDD/TEC) and no answer is received from the device, the MeCom-Package is being sent to the device two more times. If still no answer is received, the TCP connection is closed by the LTR-1200.

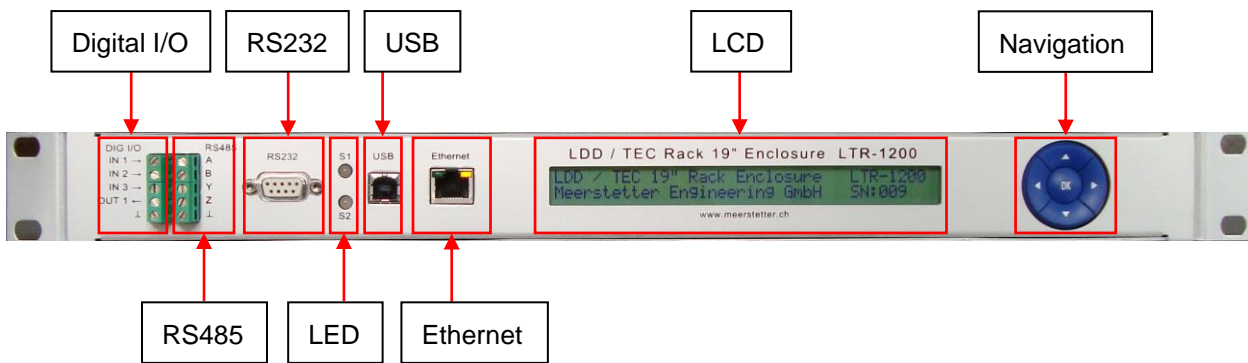
3 Technical Data

3.1 Elements and Configurations

Each rack enclosure is equipped and configured to the customer's specifications:

- Up to four LDD-Family or TEC-Family devices can be built in (See 4 Quotation Request Form).
- The number of required power supplies and fans depends on types, numbers and applications of the built-in devices. Meerstetter Engineering equips the LTR-1200 accordingly.
- The LTR-1200 is back panel configurable, the standard panel offers 4 power output terminals and 4 sensors inputs connectors. (Up to 8 Terminals are possible)
- It is also possible to install third party devices. Please contact Meerstetter Engineering with your enquiry.
- Important note concerning the integration of LDD-Family devices into LTR-1200 rack enclosures: The internal wiring from an LDD device to its back panel terminal can measure several 10cm and represents an inductive load. Therefore, fast pulsing performance will be impaired.

3.2 Front Panel



3.2.1 LCD



The picture shows the LCD display of an LTR-1200 with 4 devices built-in.

| Symbols on the LCD Display | | | | |
|--------------------------------|---------------------------------|---|---------------------|---------------------|
| | Ⓞ | ⌚ | ✓ | × |
| First Symbol (next to TEC/LDD) | Device is 'Ready' | Other (Reset, Restart, Bootloader, ...) | Device is 'Running' | Device has an Error |
| Second Symbol (if type is TEC) | Not in Temperature Control Mode | 'Wait' (not stable, yet) | Stability Reached | - |

3.2.2 Navigation

There is a five-point navigation switch available to browse through the Menu. This can be used to change the most important settings of the internal devices.

3.2.3 LED

| Dual Color Status LEDs | |
|------------------------|--------------------------------------|
| LED | Sources (grouped) |
| S1 (top) | LTR Components (HMI, Fan Controller) |
| S2 (bottom) | Built-in Devices (LDDs, TECs) |

Grouped status code is prioritized, i.e. if one output stage is running, the grouped LED shows 'Run', if one device has an error, the grouped LED shows 'Error'.

| LED Status Description (S1, S2) | | |
|---------------------------------|-----------------|--|
| Color | Pattern | Signification |
| Green | Slowly blinking | 'Ready' status (no Error) |
| Green | Blinking fast | 'Run' status (no Error) |
| Red | Static on | 'Error' status, output stages disabled |
| Red | Slowly blinking | Unknown Device Status, but no Error |

3.2.4 Digital I/O

3.2.4.1 Pinout

| Type | DIG IO Label | LDD-112x | TEC-1122/1123 | TEC-1089/1090 | LTR-1200 |
|----------|--------------|-------------------|---------------|---------------|---------------------------------------|
| Input 1 | IN1 → | RES8 | RES8 | RES1 | Special Function available on request |
| Input 2 | IN2 → | RES7 | RES7 | RES2 | |
| Input 3 | IN3 → | RES6 | RES6 | RES3 | |
| Output 1 | OUT ← | RES5 | RES5 | RES4 | |
| GND | ⊥ | Digital IO Ground | | | |

All digital I/Os are ESD-protected and have a series and pull-down resistor.

3.2.4.2 Characteristic

| Symbol | Parameter | Comments | Min | Typ | Max | Units |
|---|-------------------------------------|-------------------------|------|-----|------|-------|
| Digital Isolator Characteristics | | | | | | |
| V _{ISO} | Isolation Voltage | | 1 | - | 2.5 | kV |
| f _{TRANSFER} | Transfer Frequency | NRZ (No Return to Zero) | 0 | | 25 | MHz |
| t _{PHL} , t _{PLH} | Propagation Delay | | | 45 | 60 | ns |
| Input Characteristics (Digital Isolator) | | | | | | |
| V _{IH} | Logic High Input Threshold | | 2.31 | | | V |
| V _{IL} | Logic Low Input Threshold | | | | 0.99 | V |
| V _{IMAX} | Max Input Voltage | | -0.5 | | 5.5 | V |
| Output Characteristics (Digital Isolator) | | | | | | |
| V _{OH} | Logic High Output Voltage | Output Current 20uA | 3 | 3.3 | | V |
| V _{OL} | Logic Low Output Voltage | Input Current 20uA | | 0 | 0.1 | V |
| V _{OHL} | Logic High Output Voltage (Hi Load) | Output Current 4mA | 2.8 | 3.1 | | V |
| V _{OLL} | Logic Low Output Voltage (Hi Load) | Input Current 4mA | | 0 | 0.4 | V |
| ESD Protection (between Digital Isolator and Connector) | | | | | | |
| V _{PP} | ESD Discharge | IEC61000-4-2 | | | 100 | kV |
| R _A | Series Resistance | | 170 | 200 | 230 | Ω |

3.2.5 RS485

3.2.5.1 Pinout

| RS485 Label | Half-Duplex Connection | |
|-------------|------------------------|-----|
| A | | A |
| B | | B |
| Y | | |
| Z | | |
| ⊥ | | GND |

3.2.5.2 Characteristic

| Symbol | Parameter | Comments | Min | Typ | Max | Units |
|----------------------------------|--------------------------------------|---------------------------|------|------|-----|------------|
| Digital Isolator Characteristics | | | | | | |
| V_{ISO} | Isolation Voltage | | 1 | - | 2.5 | kV |
| Speed | Communication Speed (Baud Rate) | Software Setting | 4800 | | 1M | bps |
| V_{PP} | ESD Protection | Human Body Model | | | +15 | kV |
| Input Characteristics (Receiver) | | | | | | |
| V_{TH} | Differential Input Threshold Voltage | | -200 | -125 | -30 | mV |
| V_{HYS} | Input Voltage Hysteresis | | | 15 | | mV |
| R_{IN} | Line Input Resistance | | 96 | | | k Ω |
| Output Characteristics (Driver) | | | | | | |
| V_{OD1} | Differential Output Voltage, Loaded | $R_L = 100\Omega$ (RS422) | 2.0 | | 3.6 | V |
| V_{OD2} | Differential Output Voltage, Loaded | $R_L = 54\Omega$ (RS485) | 1.5 | | 3.6 | V |

3.2.6 RS232

3.2.6.1 Pinout

| Pin | Function |
|-------|---------------------|
| 2 | TxD (Data from LTR) |
| 3 | RxD (Data to LTR) |
| 5 | Signal Ground (GND) |
| other | Not Connected |

3.2.6.2 Characteristic

| Symbol | Parameter | Comments | Min | Typ | Max | Units |
|----------------------------|----------------------------------|--------------------------------|------|------|-------|-------|
| Protection Characteristics | | | | | | |
| V_{ISO} | Isolation Voltage | | 1 | - | 2.5 | kV |
| V_{PP} | ESD Protection | Human Body Model | | | +/-15 | kV |
| Electrical Characteristics | | | | | | |
| Speed | Communication Speed (Baud Rate) | Software Setting | 4800 | | 1M | bps |
| V_{OH} | High-level Output Voltage | TxD at $R_L = 3k\Omega$ to GND | 5 | 5.5 | | V |
| V_{OL} | Low-level Output voltage | TxD at $R_L = 3k\Omega$ to GND | -5 | -5.4 | | V |
| V_{IT+} | Positive Input Threshold Voltage | | | 1.5 | 2.4 | V |
| V_{IT-} | Negative Input Threshold Voltage | | 0.6 | 1.2 | | V |

3.2.7 USB

The USB interface is electrically isolated. A virtual COM Port is provided for communication with a host PC. The drivers are the same as the ones already required / installed for the individual internal devices. (Used chip: FTDI FT232RQ)

3.2.7.1 Characteristic

| Symbol | Parameter | Comments | Min | Typ | Max | Units |
|----------------------------|---------------------------------|------------------|------|-----|-------|-------|
| Protection Characteristics | | | | | | |
| V _{ISO} | Isolation Voltage | | 1 | - | 2.5 | kV |
| V _{PP} | ESD Protection | Human Body Model | | | +/-15 | kV |
| Electrical Characteristics | | | | | | |
| Speed | Communication Speed (Baud Rate) | Software Setting | 4800 | | 1M | bps |

3.2.8 Ethernet

3.2.8.1 Specifications

The Ethernet meets the following specifications:

- IEEE 802.3 compliance
- 100BASE-TX and 10BASE-T compliance
- Auto Negotiation (Automatically switch between 10Mbit/s / 100Mbit/s, Half -/ Full-Duplex)
- Auto MDIX (Auto crossover)
- Optional VLAN (available on request)
- Optional IEEE 1588: Precision Time Protocol (available on request)

3.2.8.2 LED Description

| | Green | Orange |
|-------|---------------|-----------|
| Off | Not connected | 10Mbit/s |
| Blink | Activity | - |
| On | Connected | 100Mbit/s |

3.2.8.3 Available Features

- Small embedded website
- Service Software communication
- MeCom protocol

3.3 Back Panel

Picture of 4 Terminal Version. (Only approx, the Sensor connectors are wrong)



Picture of the 8 Terminal Version:



By standard, the GND potentials of all built-in TEC and LDD devices are interconnected. Consequently, all external loads and sensors to be attached to the back panel should be potential-free. At the most, only one single potential (e.g. GND of one laser diode) may be tied to a given potential; it is however recommended to keep all loads and sensors potential-free.

Upon customer request, individual outputs can be equipped such that they are potential-free (i.e. independent of other built-in devices). Please contact Meerstetter Engineering with your enquiry

3.3.1 TEC Sensors Pinout

Fully pre-confected cables are available from Meerstetter Engineering at request.

3.3.1.1 Part List

| Description | Manufacturer | Manufacturer Part Nr. |
|------------------------|--------------|-------------------------|
| Connector Solder 7-Way | Binder | 99-4925-00-07 |
| Cable 6-Way, Shielded | Kabeltronik | 2-LifYCY TP (820600800) |

3.3.1.2 Pinout

| Function | Pin | Cable Color |
|------------------------|-----|-------------|
| Object Voltage Sense + | 1 | White |
| Object Voltage Sense - | 2 | Brown |
| Object Current Output | 3 | Green |
| Object Current Return | 4 | Yellow |
| Sink Sense A | 5 | Grey |
| Sink Sense B | 6 | Pink |
| NC | 7 | - |

Please connect "Current Output" and "Voltage Sense +" together to one side of the thermistor, and "Current Return" and "Voltage Sense -" together to the other side of the thermistor.

3.3.2 LDD Sensors Pinout

Fully pre-confectioned cables are available from Meerstetter Engineering at request.

3.3.2.1 Part List

| Description | Manufacturer | Manufacturer Part Nr. |
|------------------------|--------------|-------------------------|
| Connector Solder 4-Way | Binder | 99-4909-00-04 |
| Cable 4-Way, Shielded | Kabeltronik | 2-LifYCY TP (820400800) |

3.3.2.2 Pinout

| Function | Pin | Cable Color |
|---------------------|-----|-------------|
| Temperature Sense A | 1 | White |
| Temperature Sense B | 2 | Brown |
| Photodiode Cathode | 3 | Green |
| Photodiode Anode | 4 | Yellow |

3.3.3 AC Mains Supply

The main power connector is a 3-pol Connector for IEC C13 Cables

| Symbol | Parameter | Comments | Min | Typ | Max | Units |
|----------------------------|-----------------------------------|---------------------------|-----|-------|-------|-------|
| Electrical Characteristics | | | | | | |
| V _{ACnom} | Nominal Input Voltage | Single Phase | 100 | | 240 | V |
| V _{AC} | Input Voltage | Continuous | 90 | | 264 | V |
| V _{ACtrans} | Input Transients | 60ms | | | 300 | V |
| f _{AC} | Input Frequency | | 47 | 50/60 | 63 | Hz |
| P _{IN} | Input Power* | 1 - 4 Power Supplies | 400 | | 1600* | W |
| P _{IN110} | Input Power (110V _{AC}) | 1 - 4 Power Supplies | 400 | | 1100 | W |
| Protection Characteristics | | | | | | |
| Fuse | Slow Fuse | Integrated into Connector | | 10 | | A |

* When operated on 110V_{AC} mains supply, the max input power is derated to 1100W due to the 10A fuse built into the standard IEC C13 housing. Please contact Meerstetter Engineering if you require an alternative connector.

3.4 Error Numbers

Error Numbers 1 to 99 are universal error numbers, which are identically on each device. For all other universal error numbers please refer to the LDD-Family or TEC-Family User Manuals. Error Numbers 100 and above are HMI (LTR)-specific.

3.4.1 RTOS Errors

| # | Code | Description | Error Condition, Remedy |
|----|--------------------|-------------------------------|--|
| 80 | RTOS_STACKOVERFLOW | One task has a stack overflow | Please contact Meerstetter Engineering |
| 81 | RTOS_MALLOCFAIL | Can not allocate memory | Please contact Meerstetter Engineering |

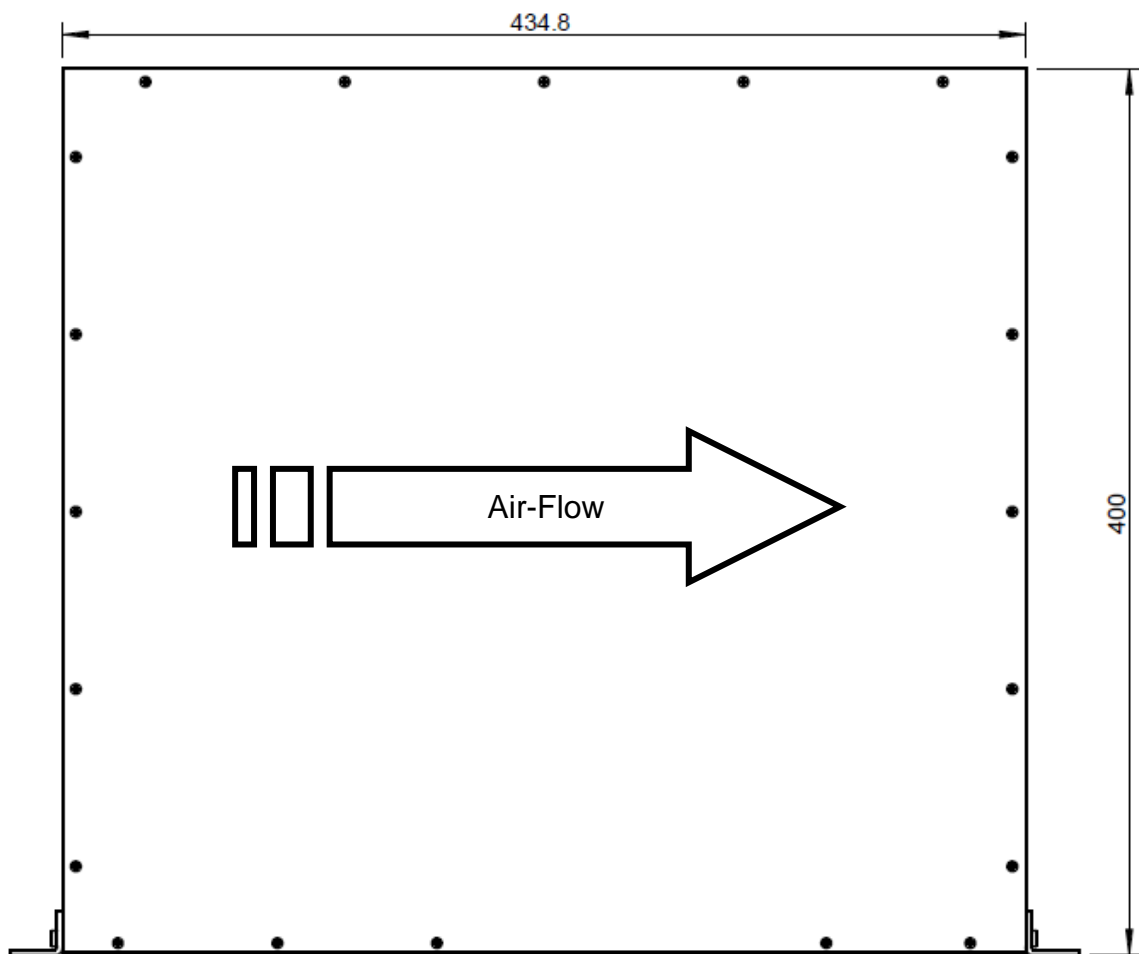
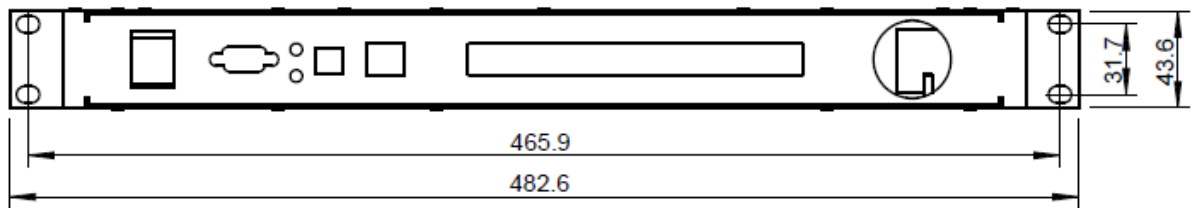
3.4.2 Routing Errors

| # | Code | Description | Error Condition, Remedy |
|-----|-------------------|--|------------------------------------|
| 100 | ROUTING_LOSTFRAME | The routing task has lost a frame | Lost frame on internal bus |
| 101 | COM_TIMEOUT | Communication timeout to an internal device occurred | No answer for 3x100 ms |
| 102 | ADDRESS_CONFLICT | Two internal devices use the same address on the bus | Two identically addresses detected |

3.4.3 HMI Errors

| # | Code | Description | Error Condition, Remedy |
|-----|----------------|---|---|
| 110 | DEVICE_VERSION | HMI and device firmware versions not compatible | Update all device firmware to the actual version. |
| 111 | DEVICE_MISSING | Unassigned rack output terminal detected | Try to reboot the LTR-1200 |
| 112 | MENU_OVERFLOW | Menu memory overflow | Please contact Meerstetter Engineering |
| 113 | UNKNOWN_DEVICE | Unknown internal device recognized | Please contact Meerstetter Engineering |

3.5 Physical Dimensions



All dimensions are in mm
Rack mounting brackets are removable

3.6 License Notice

The LTR-1200 Software is built on FreeRTOS (<http://www.freertos.org>).

4 Quotation Request Form

| Contact Information (Address) | Please Describe your Application |
|-------------------------------|----------------------------------|
| | |

| Type | Sensor Type | Power | Type | Sensor Type | Power |
|--|---|--------|--|---|--------|
| Output 1 | | | Output 2 | | |
| <input type="checkbox"/> TEC | <input type="checkbox"/> PT100 <input type="checkbox"/> 4 Wire | ____ A | <input type="checkbox"/> TEC | <input type="checkbox"/> PT100 <input type="checkbox"/> 4 Wire | ____ A |
| | <input type="checkbox"/> PT1000 <input type="checkbox"/> 2 Wire | ____ V | | <input type="checkbox"/> PT1000 <input type="checkbox"/> 2 Wire | ____ V |
| | <input type="checkbox"/> NTC | | | <input type="checkbox"/> NTC | |
| <input type="checkbox"/> LDD | <input type="checkbox"/> No LPC | ____ A | <input type="checkbox"/> LDD | <input type="checkbox"/> No LPC | ____ A |
| | <input type="checkbox"/> LPC _____ mA | ____ V | | <input type="checkbox"/> LPC _____ mA | ____ V |
| Laser Diode / Peltier Module (Manufacturer; Model) | | | Laser Diode / Peltier Module (Manufacturer; Model) | | |
| Comments / Special Requirements | | | Comments / Special Requirements | | |
| Output 3 | | | Output 4 | | |
| <input type="checkbox"/> TEC | <input type="checkbox"/> PT100 <input type="checkbox"/> 4 Wire | ____ A | <input type="checkbox"/> TEC | <input type="checkbox"/> PT100 <input type="checkbox"/> 4 Wire | ____ A |
| | <input type="checkbox"/> PT1000 <input type="checkbox"/> 2 Wire | ____ V | | <input type="checkbox"/> PT1000 <input type="checkbox"/> 2 Wire | ____ V |
| | <input type="checkbox"/> NTC | | | <input type="checkbox"/> NTC | |
| <input type="checkbox"/> LDD | <input type="checkbox"/> No LPC | ____ A | <input type="checkbox"/> LDD | <input type="checkbox"/> No LPC | ____ A |
| | <input type="checkbox"/> LPC _____ mA | ____ V | | <input type="checkbox"/> LPC _____ mA | ____ V |
| Laser Diode / Peltier Module (Manufacturer; Model) | | | Laser Diode / Peltier Module (Manufacturer; Model) | | |
| Comments / Special Requirements | | | Comments / Special Requirements | | |

Special Requirements:

- More than 4 Outputs are needed (up to 8 TEC outputs are possible)**
- The TEC outputs need to be independent. (If an Error occurs on one output, the others continue)
- Pre-confectioned Sensor Cables are required. Cable Length: _____m
- Third-party devices need to be installed: Please send us more information about this device