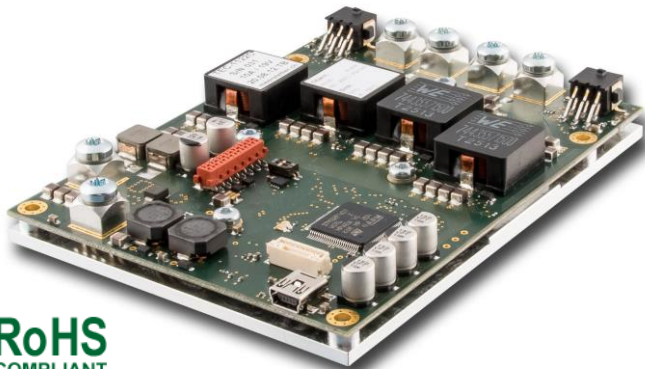


OEM Dual-Channel TEC Controller



RoHS
COMPLIANT

The TEC-1123 is a specialized TEC Controller / power supply able to precision-drive two independent Peltier elements.

Each channel features a true bipolar DC current source for cooling / heating, two temperature monitoring inputs (1x main, 1x auxiliary) and intelligent PID control with auto tuning. The TEC-1123 is fully digitally controlled, its hard- and firmware offer numerous communication and safety options.

The included PC-Software allows configuration, control, monitoring and live diagnosis of the TEC Controller via USB and RS485. All parameters are saved to non-volatile memory. Saving can be disabled for bus operation.

For the most straightforward applications, only a power supply, Peltier elements and two temperature sensors need to be connected to the TEC-1123. After power-up the unit will operate according to pre-configured values. (In stand-alone mode no control interface is needed.)

The TEC-1123 can handle either Pt100, Pt1000, NTC or Voltage temperature probes. For highest precision and stability applications a Pt100 / 4-wire input configuration is recommended. Analog measurement circuit is factory calibrated.

Auxiliary temperature inputs allow the connection of NTC probes that are located on the heat sinks of the Peltier elements. This additional data is used to compensate for parasitic thermal conduction of Peltier elements. Also, it allows the control of external heat sink cooling fans.

The heating and cooling power is optimized by proprietary thermal management routines based on power balance models (for Peltier elements and resistive heaters).

The TEC-1123's two independent channels may also be operated in parallel, to either drive two individual or one common load (current doubling).

Further functionality includes: Smooth temperature ramping, thermal stability indication and auto gain (NTC probes). The PC-Software allows data logging and configuration import/export.

Many features (hardware, software) of this OEM product are customizable upon request.

Features

Output Stage:

- Output Current / Channel: 0 to ± 16 A, <1.5% Ripple (Dual 0 to ± 10 A available as TEC-1122)

HV (High Voltage) Version:

- DC Input Voltage: 12 – 36 V Nominal
- Output Voltage / Channel: 0 to ± 30 V (max. $U_{IN} - 6$ V)

Main Features:

- Two Independent TEC Controller / Driver Channels
- Temperature Sensor Types: Pt100, Pt1000, NTC, Voltage
- Temperature Precision / Stability: $<0.01^{\circ}\text{C}$
- Temperature Control & Measurement Frequency: 1 Hz, 10 Hz, 80 Hz
- Performance-optimized PID for Thermal Power Control
- Configuration / Diag. over USB / RS485 PC Software
- Dimensions (L x W x H): 120 mm x 90 mm x 18 mm
- Efficiency: 94 % (@ 90% Load)
- Cooling over Base Plate
- Auxiliary Peltier Heat Sink NTC Temp. Sensor Input

Operation Modes:

- Stand-Alone without Live Control Interface
- Remotely-Controlled over USB, RS485, RS422, I/O
- Script-Controlled over Lookup Table Read-Out

Driver Modes:

- DC Power Supply: Set Current or Voltage
- Temperature Control: PID Settings, Auto Tuning, optional Cool/Heat-Only or Resistor modes

Data Interfaces:

- USB 2.0 1kV isolated (FTDI Chip)
- 2x RS485 / RS422

General Purpose I/O Features:

- 8x Digital I/O Signals (3.3 V / 5 V)
- Configurable as Input to control TEC-1123 (Enable, Temperature Up / Down etc.)
- Configurable as output to monitor TEC-1123 (Error Indication, Temperature Stable Indication etc.)

Optional Components:

- Display Unit: 2x16 Char OLED (DPY-1113)

Further Information:

- Please contact us for additional information or consult the current TEC Controller User Manual (Document 5216).
- The TEC-1123 is part of the TEC-Family of Meerstetter TEC Controllers. It is designed to operate alongside devices of the LDD-Family of laser diode drivers. Both families of drivers share the same system bus, design, technology and physical dimensions.

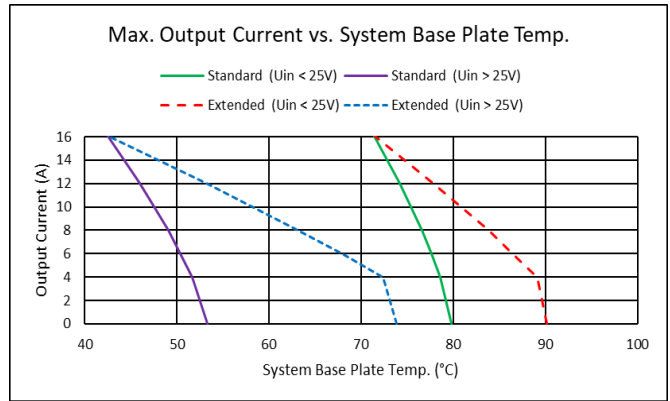
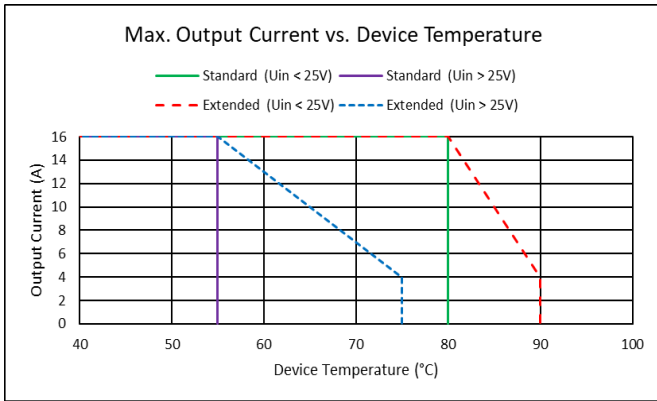
Absolute Maximum Ratings

Supply voltage (DC)	37 V (-HV)
---------------------	------------

Bipolar output voltage	±35 V (-HV)
Bipolar output current	±22 A (per channel)

Operating Characteristics for Firmware >= v4.00

Temperature	-40°C to 90°C
Humidity	5 – 95%, non-condensing

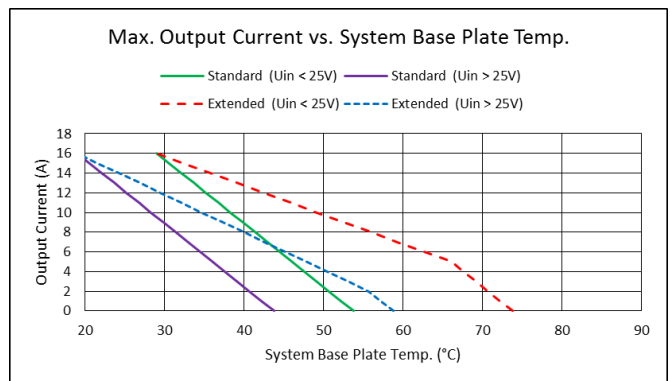
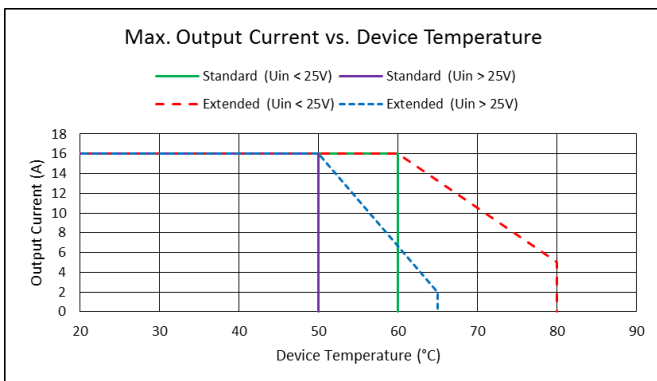


Additional information about the charts above:

- Standard or Extended device temperature mode can be set as a software setting.
 - In standard mode, the device throws an error and switches off if the maximal device temperature is reached.
 - In extended mode, the device first reduces the maximum output current before it throws an error and switches off.
- The Device Temperature is the temperature which is being measured by the TEC Controller itself on its own PCB. This is the temperature which is relevant for the overtemperature behavior (left chart).
- The System Base Plate is assumed as the customers heatsink where the TEC Controller is mounted to. The right diagram shows the maximum temperature of the customers heatsink to not exceed the temperatures in the left diagram under the following conditions:
 - Between the TEC Controllers base plate and the customers heatsink this thermal pad: Bergquist: "GP1500R-0.010-02-0816" was used. We recommend employing this or a similar product.
 - The TEC Controller is pressed with 1.2kPa to the System Base Plate. It is recommended to use the mounting holes of the TEC Controller to press the TEC Controller to the System Base Plate.
 - The air ambient temperature was approximately 30°C colder than the System Base Plate.

Operating Characteristics for Firmware < v4.00

Temperature	-40 – 85°C
Humidity	5 – 95%, non-condensing



Test Condition:

TEC Controller pressed with 1.2kPa to an aluminum System Base Plate without any thermal conductivity material in between. Using a good thermal conductivity material is recommended for high output currents.

Standard or Extended Device Temperature Mode can be set as software setting.

Electrical Characteristics for HV (High Voltage) Version

Unless otherwise noted: $T_A = 25^\circ\text{C}$, $U_{IN} = 36\text{ V}$, $R_{load} = 2\ \Omega$, $FW \geq v4.00$

Symbol	Parameter	Test Conditions	Min	Typ	Max	Units
DC Power Supply Input:						
U_{IN}	Supply voltage	Measured directly on power input terminals	11.5	36	36.5	V
U_{IN} Ripple	Ripple tolerance				300	mV _{PP}
Output (per Channel):						
I_{OUT}	Bipolar current swing				± 16	A
U_{OUT}	Bipolar voltage swing	U_{IN} at least 6 V greater than U_{OUT} Measured directly on power input terminals			± 30	V
U_{OUT} Ripple	Voltage ripple	$R_{load} = 1.75\ \Omega @ 16\text{ A}$		400		mV _{PP}
System Characteristics:						
$\eta_{50\%}$	Power efficiency	@ 50% load (15V, 16A per channel)		92		%
$\eta_{100\%}$	Power efficiency	@ 100% load (30V, 16A per channel)		96		%
Output Monitoring (I_{OUT} Resolution is 12.2mA; U_{OUT} Resolution is 10.25mV)						
I_{OUT} Read	Precision	@ 15.5 A		1	5	%
U_{OUT} Read	Precision	@ 30.0 V		1	3	%

Output Safety Characteristics

Unless otherwise noted: $T_A = 25^\circ\text{C}$, $U_{IN} = 24\text{ V}$

Symbol	Parameter	Test Conditions	Min	Typ	Max	Units
Output Stage Protection Delays:						
t_{OFF} Short circuit		Full load condition		10	30	μs
t_{OFF} Power system limits		Current and voltage limits			200	μs
Output Stage Current Supervision: (If the OUT+ and OUT- currents differ too much, an error is generated)						
I_{OUT_DIFF}	Error threshold			1.6		A

Object Temperature Measuring Characteristics (Pt100 and Pt1000 Probes)

Measurement configuration = 23bit / 4-wire / unshielded cable <50mm

Symbol	Parameter	Test Conditions / Hints	Min	Typ	Max	Units
T_{OBJ_RANGE}	Range	Range is extendable upon request Default measurement range is $-220^\circ\text{C} \dots +200^\circ\text{C}$ Extended measurement range is $-193^\circ\text{C} \dots +787^\circ\text{C}$	-100		+200	$^\circ\text{C}$
T_{OBJ_PREC}	Precision	(EN 60751 / IEC 751)		0.005	0.01	$^\circ\text{C}$
T_{OBJ_COEFF}	Temp. Coefficient	Relative to device temperature			1.6m	$^\circ\text{C}/\text{K}$
T_{OBJ_NOISE}	Value Noise	Reference measurement fluctuations while output stage operating @70% load		0.003		$^\circ\text{C}$
T_{OBJ_REP}	Repeatability	Repeated measurements of reference resistors after up to 3 days		0.005		$^\circ\text{C}$

Object Temperature Monitoring Configurations (NTC Probes)

NTC thermistor resistive input characteristics translate into temperature ranges valid for only one type of NTC probe. Below example is given in the case of an NTC B_{25/100} 3988K R₂₅ 10k temperature sensor.

Symbol	Parameter	Test Conditions	Min	Typ	Max	Units
R_{OBJ_RANGE}	ADC Gain PGA = 1	Low- $^\circ\text{T}$ Configuration NTC56K Corresponding temperature range	3360	51.8 to -10.1	55720	Ω $^\circ\text{C}$
R_{OBJ_RANGE}	ADC Auto Gain PGA = 1 or 8	High- $^\circ\text{T}$ Configuration NTC18K Corresponding temperature range	135	164.0 to 12.2	17910	Ω $^\circ\text{C}$
		Mid- $^\circ\text{T}$ Configuration NTC39K Corresponding temperature range	293	131.0 to -3.4	38805	Ω $^\circ\text{C}$
		Very Low- $^\circ\text{T}$ Configuration NTC1M Corresponding temperature range	293	131.0 to -55.5	1M	Ω $^\circ\text{C}$

R_{OBJ_RANGE} is resistance range of the NTC sensor

Object Temperature Monitoring Configuration (Voltage Measurement VIN)

Sensors with linear Voltage/Temperature output.

Symbol	Parameter	Test Conditions / Hints	Min	Typ	Max	Units
V _{SENS, DIFF}	Range	Differential Input voltage Temperature range depends on sensor used	-2.039		2.039	V
V _{OBJUX, ABS}	Range	Absolute Input voltage	0.1		3.2	V

Sink Temperature Measuring Characteristics (NTC only)

T_A = 25°C, measurement configuration = 12bit / 2-wire / unshielded cable <50mm, °T probe = NTC B_{25/100} 3988K R₂₅ 10k

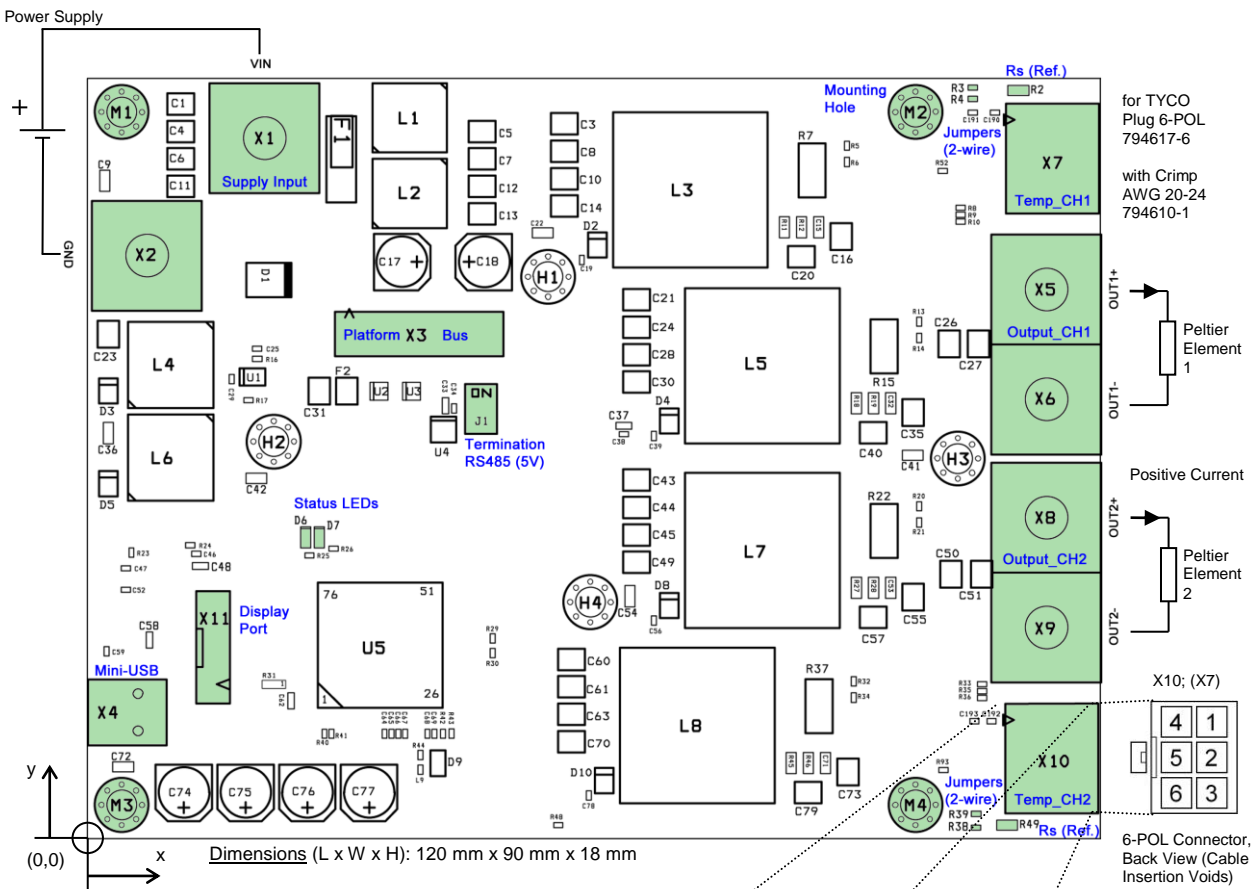
Symbol	Parameter	Test Conditions / Hints	Min	Typ	Max	Units
R _{SINK, RANGE}	Range	Corresponding temperature range	180	150 to -6.0	44600	Ω °C

General Purpose Digital I/O Characteristics (GPIO1 ... GPIO8)

Unless otherwise noted: T_A = 25°C, U_{IN} = 24 V

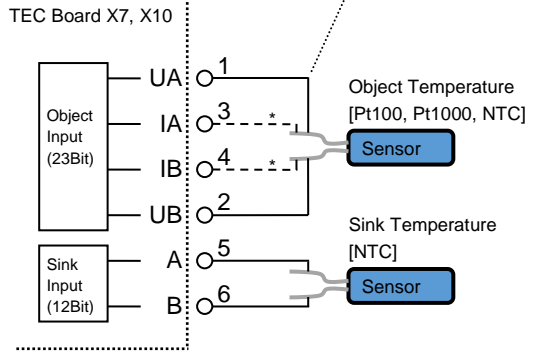
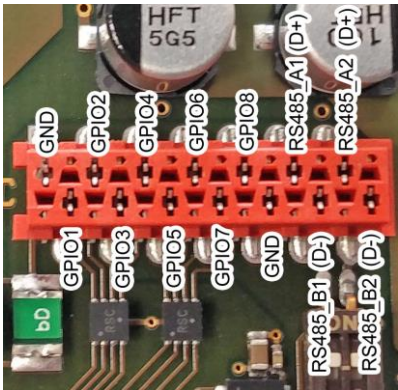
Symbol	Parameter	Comments	Min	Typ	Max	Units
Input Characteristics:						
U _{IH}	Logic high input threshold		2.38			V
U _{IL}	Logic low input threshold				0.93	V
U _{IMAX}	Maximum input voltage		-0.5		5.5	V
Output Characteristics: (Microprocessor)						
U _{OH}	Logic high output voltage	Output current 8mA	2.8			V
U _{OL}	Logic low output voltage	Input current 8mA			0.4	V
ESD Protection: (Between Processor and Connector)						
V _{PP}	ESD discharge	IEC61000-4-2			100	kV
R _A	Series resistance		170	200	230	Ω

Package Outline and Pin Configuration



Mounting (4x 3.2 mm Holes, 7.6 mm in Length):
M1: x = 4.0 mm, y = 86.0 mm
M2: x = 98.0 mm, y = 86.0 mm
M3: x = 4.0 mm, y = 4.0 mm
M4: x = 98.0 mm, y = 4.0 mm

Pin Descriptions Platform Bus X3:
TYCO Plug 14-POL: 8-215083-4



* In case of Pt100 or Pt1000, use 4 wires to connect the Object Temperature Sensor

Pin Description Platform Bus X3 (cont.):
GND: fused with 200 mA polyfuse; -HV 100 mA
DIP-switch J1, 1: 120 Ω termination for RS485 1
DIP-switch J1, 2: 120 Ω termination for RS485 2

Power Terminals: M4-size Screws

Peltier elements, temperature probes, power supply and connectors not included.

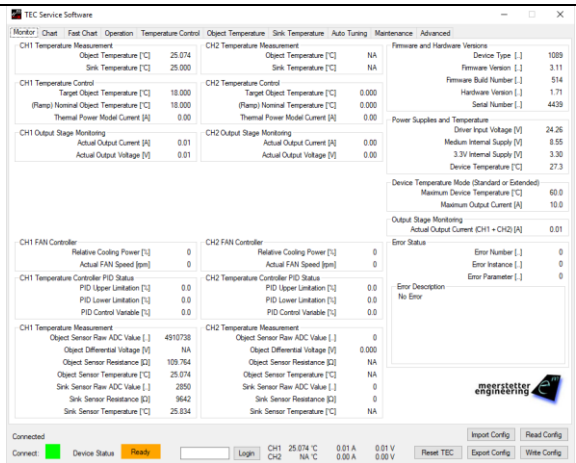
Operation-Modes and Communication Options

The TEC-1123 is an OEM two-channel TEC Controller that is primarily designed to operate as a stand-alone device. Its basic operation status is visually indicated by on-board green and red LEDs and their blinking pattern. More detailed status information can be polled at any time by industry-standard RS485 connection or by USB (see box below). The TEC-1123 can also operate in a remotely-controlled manner, with parameters adjusted on the fly. The latest firmware upgrade introduced scripting capability by sequential lookup table read-out.

Configured as a DC power-supply, the TEC-1123 can handle current and voltage settings. In the remote-control case, temperature data may be passed on to be processed by the host. Also, the TEC's two channels can be configured to operate in a 'parallel' mode to double the output current.

Configurable parameters further include: sensor linearization (Pt100 / Pt1000) and Steinhart-Hart modeling (NTC), temperature acquisition hardware calibration, Peltier element modeling, PID controller auto tuning, nominal temperature ramping, current, voltage and temperature limits, error thresholds, etc. Please refer to the TEC Controller User Manual (Document 5216) for further information.

TEC Service Software



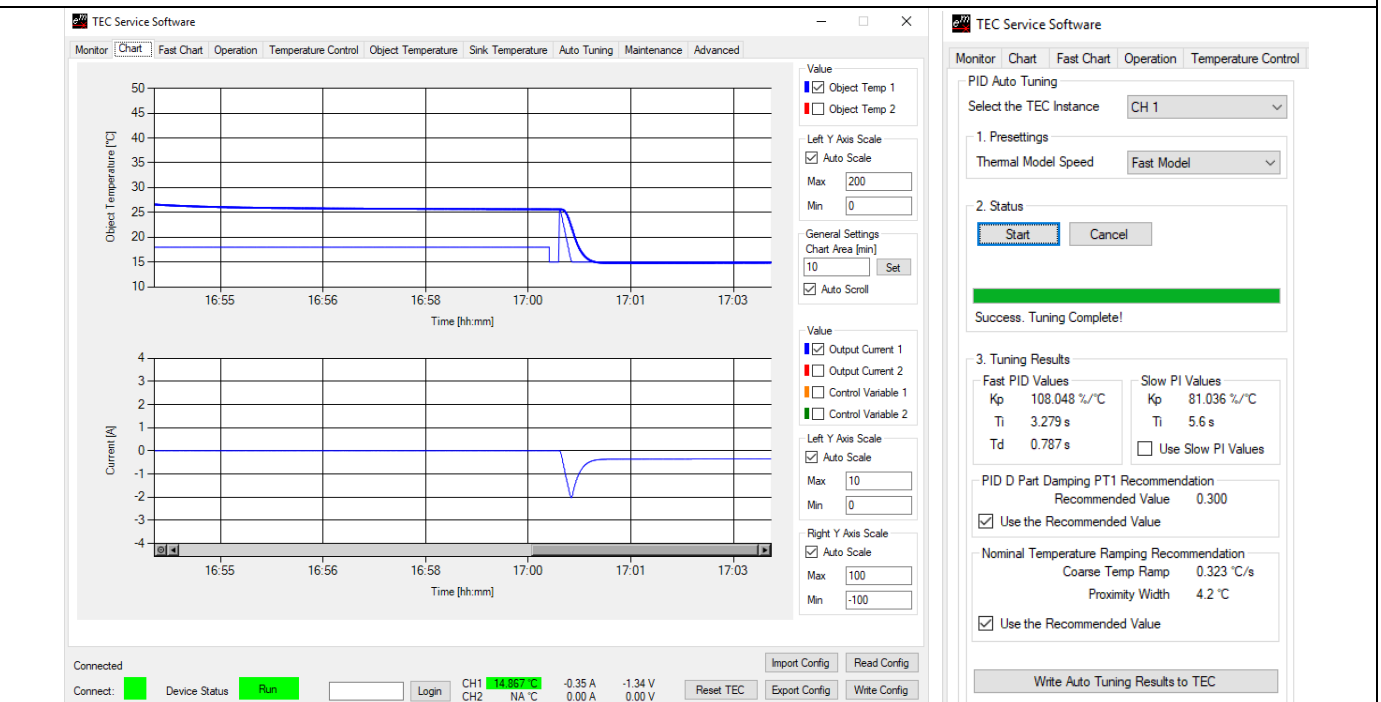
The included TEC Service Software is a powerful tool that allows monitoring, data logging and full configuration of the TEC-1123 via a standard USB or an RS485 connection from a PC running Windows.

This tool is ideal for laboratory setups, product evaluation and commissioning. In conjunction with the comprehensive set of error codes and built-in descriptions, it facilitates diagnosis and debugging.

The software also supplies a user-friendly interface for maintenance (e.g. firmware upgrades), device calibration and basic data logging.

Please refer to the user manual for more information on features and system requirements.

Temperature Control (Autotuned PID)



TEC-1123 Ordering Information, Hardware Configuration

Example Configuration: **TEC-1123-HV-PT100**

TEC Model:
-TEC-1123

VoltageVersion:
-HV (High Voltage)

Object Sensor Type:

- PT100 (4 Wire)
- PT1000 (4 Wire)
- NTC18K (2 Wire, R_{MAX} of NTC)
- NTC39K (2 Wire, R_{MAX} of NTC)
- NTC56K (2 Wire, R_{MAX} of NTC)
- NTC1M (2 Wire, R_{MAX} of NTC)
- VIN1

Display Unit:

It is possible to connect an OLED 2x16 character display directly to the X4 connector. Please visit the DPY - 1113 product web page for further information.

Customization:

Many hardware and software features of the TEC-1123 are customizable upon request. Please contact Meerstetter Engineering with your enquiry.

Meerstetter Engineering GmbH
Schulhausgasse 12
3113 Rubigen, Switzerland