

Using Meerstetter TEC-Controllers with Voltage Output Temperature Sensors (-VIN1)

Application Note

Index

- 1 Introduction3
- 2 Sensor requirements4
- 3 Configuration5
 - 3.1 TEC Service Software:5
 - 3.2 General Hardware information.....5
- 4 Wiring Voltage Output Sensors.....6
 - 4.1 Voltage Output Sensor LM616
 - 4.2 Voltage Output Sensor LM508
 - 4.3 Voltage Output Sensor LMx35.....9

Meerstetter Engineering GmbH

Schulhausgasse 12
CH-3113 Rubigen
Switzerland

Phone: +41 31 712 01 01

Email: contact@meerstetter.ch

Meerstetter Engineering GmbH (ME) reserves the right to make changes without further notice to the product described herein. Information furnished by ME is believed to be accurate and reliable. However typical parameters can vary depending on the application and actual performance may vary over time. All operating parameters must be validated by the customer under actual application conditions.

Document 5217B

Release date: 15 January 2019

Only valid with TEC Controller firmware v3.20

1 Introduction

This Application Note documents the use of Meerstetter Engineering TEC-Controllers with Analog Voltage Output Temperature Sensors. To use this feature, you need the temperature input circuit configuration “-VIN1”.

It describes what you need to do to correctly connect your sensor and get it working with your TEC-Controller.

The following sensors were tested and are compatible with our TEC Controllers:

- Texas Instruments LMx35
- Texas Instruments LM50
- Texas Instruments LM61

Please note that this list is not exhaustive, there are many other sensors which are compatible with our TEC-Controllers.

2 Sensor requirements

To be compatible with the Meerstetter Engineering TEC-Controllers the Voltage Output temperature sensors must fulfill the following requirements:

- Linear Voltage/Temperature output
- Output Voltage Range matches TEC-Controller measurement range (See TEC-Controller Datasheets)

If a sensor has an output voltage range too large for the specific TEC-Controller in use a simple resistive voltage divider can be employed. For an example, see [4.3 Voltage Output Sensor LMx35](#).

3 Configuration

The Parameters of the temperature sensor must be entered so the TEC-Controller can calculate the temperature. You can do this by using the Service Software or the MeCom Communication Protocol.

You only need to enter the Voltage at a given temperature (Reference Voltage and Reference Temp) and the Temperature Slope, the rest is calculated automatically.

3.1 TEC Service Software:

Enter the three values in the tab “Advanced” → “Temperature Conversion” in the field “CHx Object Voltage to Temperature Conversion”.

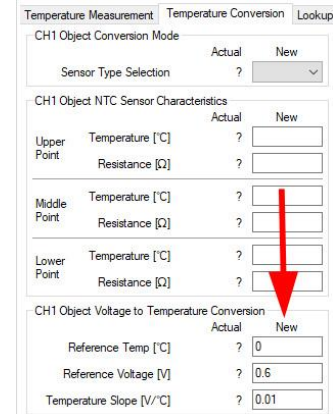


Figure 1: Configuration with TEC Service Software as example with LM61 values

3.2 General Hardware information

Our temperature sensor input circuits are designed for 2-wire or 4-wire sensing of resistive temperature sensors, but with the “Object Sensor Type” -VIN1, it is also possible to use linear voltage sensors.

The large TEC Controllers do not have an internal 5V supply, therefore we must distinguish between large and small types. The newest controller (TEC-1092) uses a different ADC, which has a slightly larger common mode range when the preamp is bypassed.

The following table gives you an overview over the voltage ranges:

Table 1. -VIN1 Voltage Overview

TEC Model	ADC Chip	ADC Supply (AVDD) ¹	Current source max U out (IA)	Absolute Input Voltage	Differential input voltage
TEC-1089	ADS1247	3.3V	2.3V @ 1mA 2.8V @ 0.25mA	0.1V ... 3.2V ²	-2.039V ... 2.039V
TEC-1090					
TEC-1122					
TEC-1123					
TEC-1091	ADS1220	5V	4.0V @ 1mA	0.1V ... 4.9V ²	
TEC-1092				-0.1V ... 5.1V ³	

The internal reference is voltage 2.048V

In order to not fall below the lower Absolute Input Voltage a Schottky diode is used to replace Rs. This is not necessary for the TEC-1092, but for simplification, it is also assembled this way.

¹ The 3.3V or 5V supply may be inaccurate by about 0.2V.

² The input range reaches from GND+0.1V to AVDD-0.1V.

³ If the preamp (PGA Bypass) is disabled, the input range reaches from GND-0.1V to AVDD+0.1V.

4 Wiring Voltage Output Sensors

4.1 Voltage Output Sensor LM61

4.1.1 With TEC-1089 / 1090 / 1122 / 1123

TEC Controller

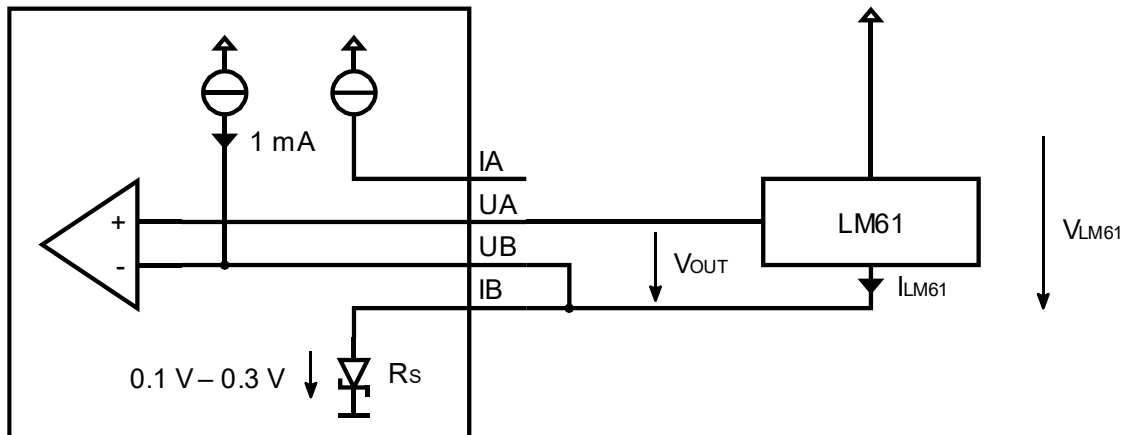


Table 2. CHx Object Voltage to Temperature Conversion Settings

Name	Unit	Value
Reference Temperature	°C	0
Reference Voltage	V	0.6
Temperature Slope	V/°C	0.01

Using this configuration, the full range from -30°C to 100°C can be used.

4.1.2 With TEC-1091 / 1092

TEC Controller

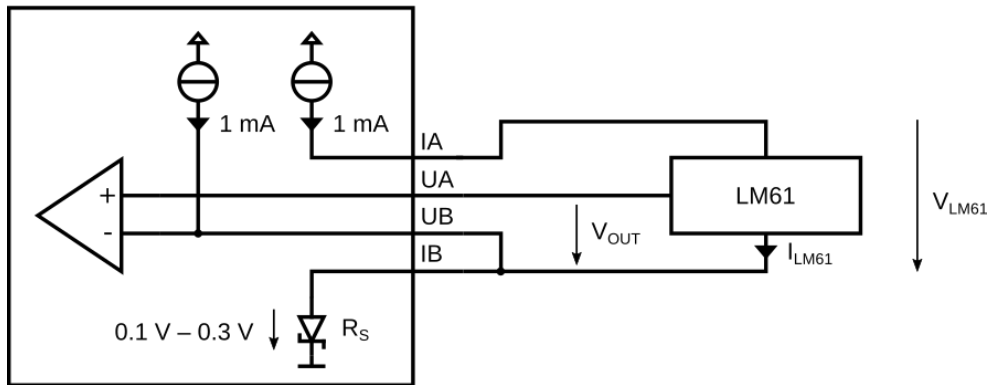


Table 3. CHx Object Voltage to Temperature Conversion Settings

Name	Unit	Value
Reference Temperature	°C	0
Reference Voltage	V	0.6
Temperature Slope	V/°C	0.01

Using this configuration, the full range from -30°C to 100°C can be used.

4.2 Voltage Output Sensor LM50

TEC Controller

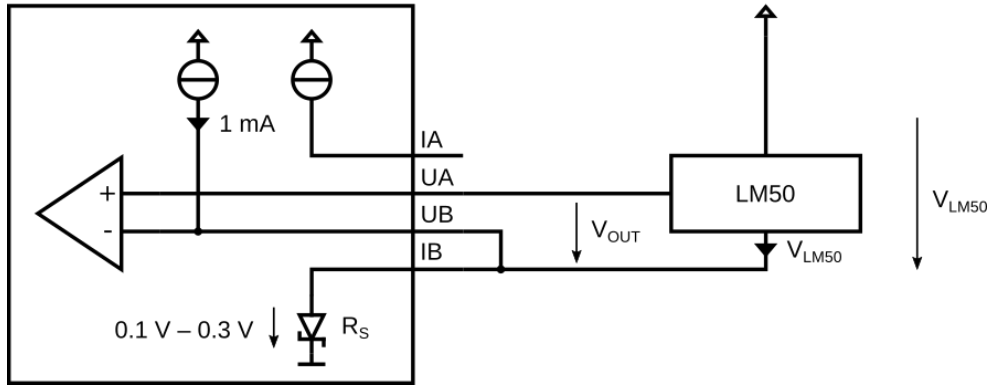


Table 4. CHx Object Voltage to Temperature Conversion Settings

Name	Unit	Value
Reference Temperature	°C	0
Reference Voltage	V	0.5
Temperature Slope	V/°C	0.01

Using this configuration, the full range from -40°C to 125°C can be used.

4.3 Voltage Output Sensor LMx35

4.3.1 With TEC-1089 / 1090 / 1122 / 1123

TEC Controller

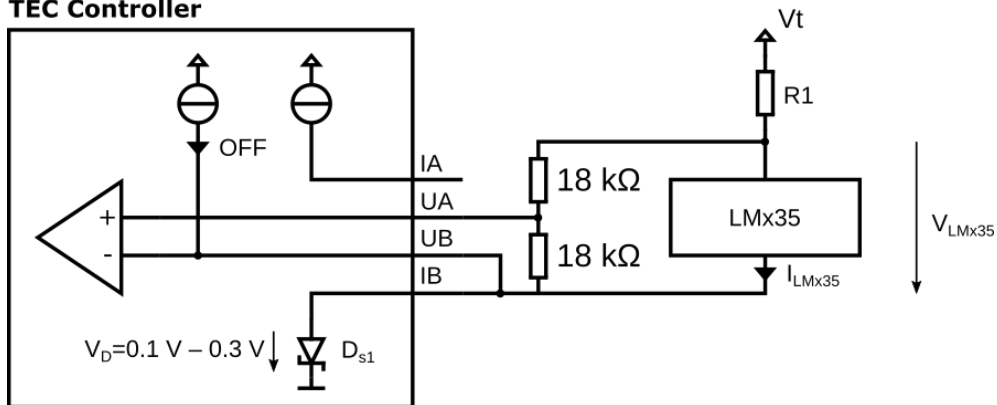


Table 5. CHx Object Voltage to Temperature Conversion Settings

Name	Unit	Value
Reference Temperature	°C	25
Reference Voltage	V	$2.98 / 2^4$
Temperature Slope	V/°C	$0.01 / 2^4$

Using this configuration, the full range from -40°C to 125°C can be used.

⁴ Divided by 2, because of the two 18k resistors.

4.3.2 With TEC-1091 / 1092

TEC Controller

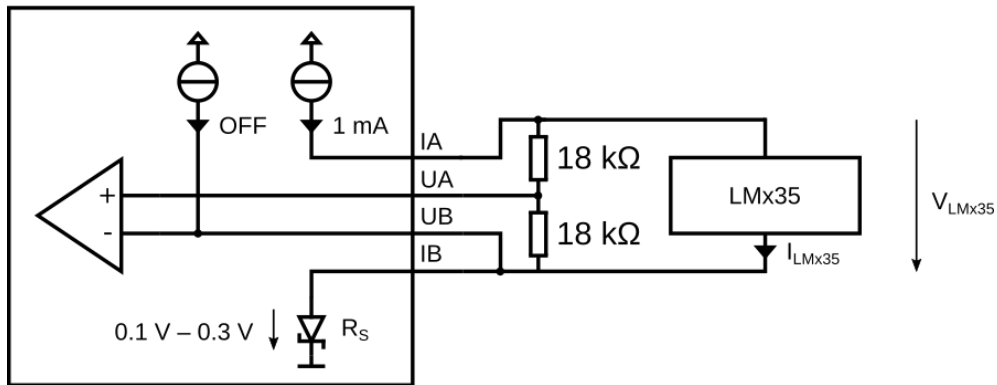


Table 6. CHx Object Voltage to Temperature Conversion Settings

Name	Unit	Value
Reference Temperature	°C	25
Reference Voltage	V	$2.98 / 2^5$
Temperature Slope	V/°C	$0.01 / 2^5$

Using this configuration, the full range from -40°C to 125°C can be used.

⁵ Divided by 2, because of the two 18k resistors.